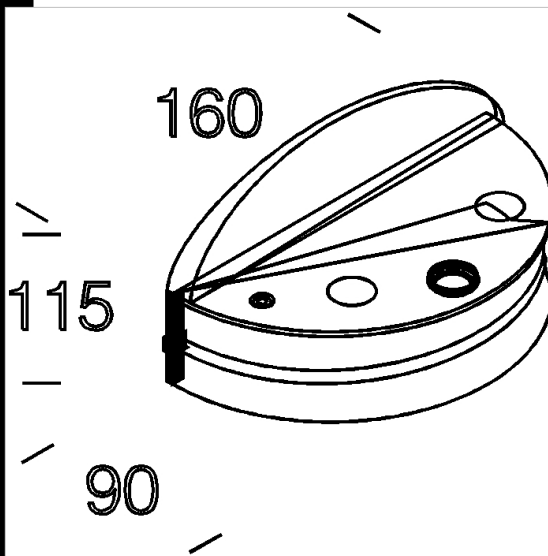
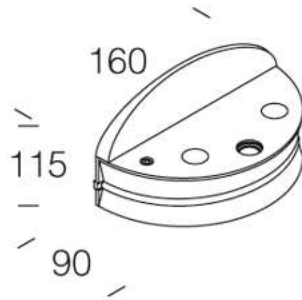


1372 wall mount

In die-cast aluminium, painted by epoxy cationic electrocoating, black, with rough finish. For wall mounting of arms acc. 1370.

Download
DXF 2D
- d1372.dxf



Code	Kg	WTot	Colour
433100-00	0.54	0 W	BLACK

Products



- 1320 large base



- 1313 aluminum base CNRL



- 1313 aluminium base S/CNR

The reported luminous flux is the flux emitted by the light source with a tolerance of $\pm 10\%$ compared to the indicated value. The W tot column indicates the total wattage absorbed by the system without exceeding 10% of the indicated