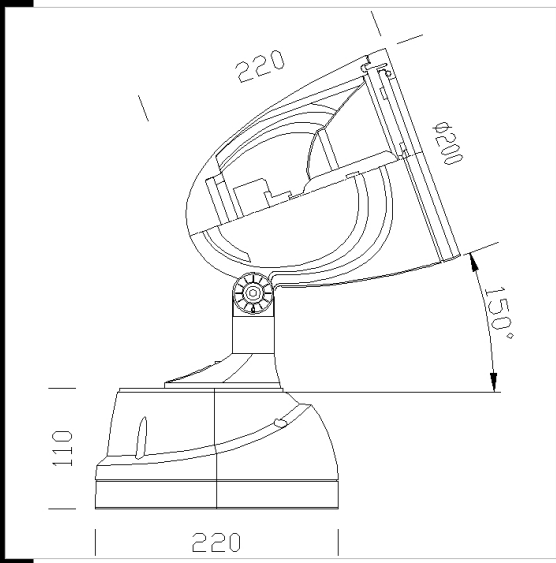


1528 Elfo 150W narrow beam

Housing: Die-cast aluminium with cooling fins
 Reflector: Anodised and polished turned aluminium
 Diffuser: Tempered glass 4 mm thermal shock and impact resistant
 Coating: Sand-blasted silver-grey or graphite grey polyester powder coating applied, resistant to corrosive and saline environments.
 Lampholder: Ceramic with silver-plated contacts
 Electric gear: 230V power supply with heat protection. Wire terminated with admiralty brass clamps, silicone insulation cross section: 1 sqmm. 2P terminal block (maximum allowed lead cross section 2.5 sqmm.)
 Equipment: Silicone rubber gasket. Fibreglass nylon cable gland, Ø ½ " gas.
 Regulations: Manufactured in compliance with EN60598 - CEI 34 - 21 standards. The level of protection complies with the EN60529 standard.



Download
 DXF 2D
 - 1528_elfo.dxf
 3DS
 - disano_1528_elfo.3ds
 3DM
 - disano_1528_elfo.3dm
 Montaggi
 - 1523-24-25-26-27-28_elfo.pdf

Code	Gear	Kg	Watt	Base	Lamps	Colour
433022-00	CNR-L	3,60	CDM-T 150	G12	12700lm-4200k-Ra 2a	GRAPHITE
433024-00	CELL	3,74	CDM-T 100 elite	G12	11000lm-3000K-Ra 90	SANDBLASTED SILVER
433025-00	CELL	3,78	CDM-T 100 elite	G12	11000lm-3000K-Ra 90	GRAPHITE
433020-00	CNR-L	3,60	CDM-T 150	G12	12700lm-4200k-Ra 2a	SANDBLASTED SILVER
423022-38	CNR-L	0,00	CDM-T 150	G12	14000lm-3000K-Ra 1b	GRAPHITE
433020-38	CNR-L	3,60	CDM-T 150	G12	14000lm-3000K-Ra 1b	SANDBLASTED SILVER

Accessories

