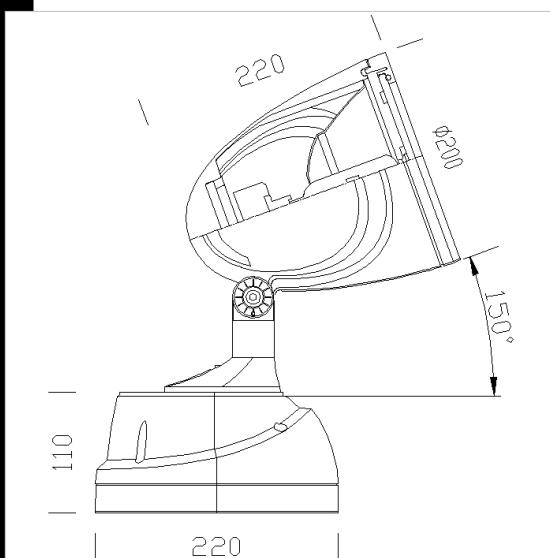




### 1528 Elfo 150W narrow beam

Housing: Die-cast aluminium with cooling fins  
 Reflector: Anodised and polished turned aluminium  
 Diffuser: Tempered glass 4 mm thermal shock and impact resistant  
 Coating: the standard liquid immersion coating consists of a first metal surface pre-treatment stage, a successive epoxy cataphoresis corrosion and salt resistant coating, and a final layer of bi-component acrylic liquid UV-stabilised coating.  
 Lampholder: Ceramic with silver-plated contacts  
 Electric gear: 230V power supply with heat protection. Wire terminated with admiralty brass clamps, silicone insulation cross section: 1 sqmm. 2P terminal block (maximum allowed lead cross section 2.5 sqmm.)  
 Equipment: Silicone rubber gasket. Fibreglass nylon cable gland, Ø ½ " gas.  
 Regulations: Manufactured in compliance with EN60598 - CEI 34 - 21 standards. The level of protection complies with the EN60529 standard.



#### Download

- DXF 2D  
- 1528\_elfo.dxf
- 3DS  
- disano\_1528\_elfo.3ds
- 3DM  
- disano\_1528\_elfo.3dm
- Montaggi  
- elfo.pdf

Code	Gear	Kg	Lumen-K-CRI	WTot	Base	Colour
433022-00	CNR-L	3,60		168 W		GRAPHITE
423022-38	CNR-L	0,00	CDM-T 150-14000lm-3000K-Ra 1b	0 W	G12	GRAPHITE
433020-00	CNR-L	3,60		168 W		GREY9006
433020-38	CNR-L	3,60	CDM-T 150-14000lm-3000K-Ra 1b	168 W	G12	GREY9006

#### Accessori



The reported luminous flux is the flux emitted by the light source with a tolerance of ± 10% compared to the indicated value. The W tot column indicates the total wattage absorbed by the system without exceeding 10% of the indicated