

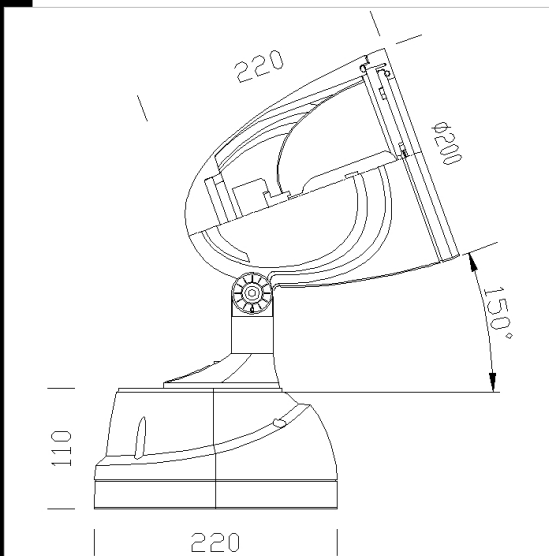
Download

- DXF 2D
- 1527_elfo.dxf
- 3DS
- disano_1527_elfo.3ds
- 3DM
- disano_1527_elfo.3dm
- Montaggi
- 1523-24-25-26-27-28_elfo.pdf



1527 Elfo 150W wide beam

Housing: Die-cast aluminium with cooling fins
 Reflector: Anodised and polished turned aluminium
 Diffuser: Tempered glass 4 mm thermal shock and impact resistant
 Coating: Sand-blasted silver-grey or graphite grey polyester powder coating applied, resistant to corrosive and saline environments.
 Lampholder: Ceramic with silver-plated contacts
 Electric gear: 230V power supply with heat protection. Wire terminated with admiralty brass clamps, silicone insulation cross section: 1 sqmm. 2P terminal block (maximum allowed lead cross section 2.5 sqmm.)
 Equipment: Silicone rubber gasket. Fibreglass nylon cable gland, Ø ½ " gas.
 Regulations: Manufactured in compliance with EN60598 - CEI 34 - 21 standards. The level of protection complies with the EN60529 standard.



Code	Gear	Kg	Watt	Base	Lamps	Colour
432922-38	CNR-L	3,60	CDM-T 150	G12	14000lm-3000K-Ra 1b	GRAPHITE
432922-00	CNR-L	3,60	CDM-T 150	G12	12700lm-4200k-Ra 2a	GRAPHITE
432924-00	CELL	3,74	CDM-T 100 elite	G12	11000lm-3000K-Ra 90	SANDBLASTED SILVER
432925-00	CELL	3,70	CDM-T 100 elite	G12	11000lm-3000K-Ra 90	GRAPHITE
432920-38	CNR-L	3,60	CDM-T 150	G12	14000lm-3000K-Ra 1b	SANDBLASTED SILVER
432920-00	CNR-L	3,60	CDM-T 150	G12	12700lm-4200k-Ra 2a	SANDBLASTED SILVER

Accessories



- 193 four-sided shutter



- 194 coloured filter



- 188 plate



- 192 conveyor



- 119 peg



- 195 baffle louvre



- 120 pole mount