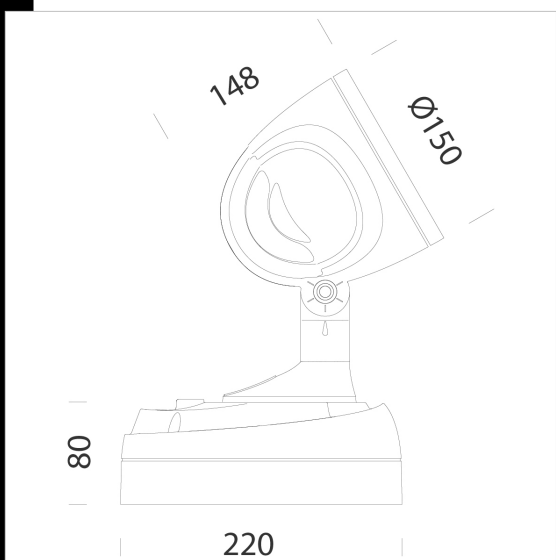


1539 Elfo RGBW - DMX/RDM

Housing: Die-cast aluminium with cooling fins
 Diffuser: Tempered glass 4 mm thermal shock and impact resistant
 Coating: the standard liquid immersion coating consists of a first metal surface pre-treatment stage, a successive epoxy cataphoresis corrosion and salt resistant coating, and a final layer of bi-component acrylic liquid UV-stabilised coating.
 Equipment: Silicone rubber gasket. Fibreglass nylon cable gland, Ø ½ " gas.
 Regulations: Manufactured in compliance with EN60598 - CEI 34 - 21 standards. The level of protection complies with the EN60529 standard.

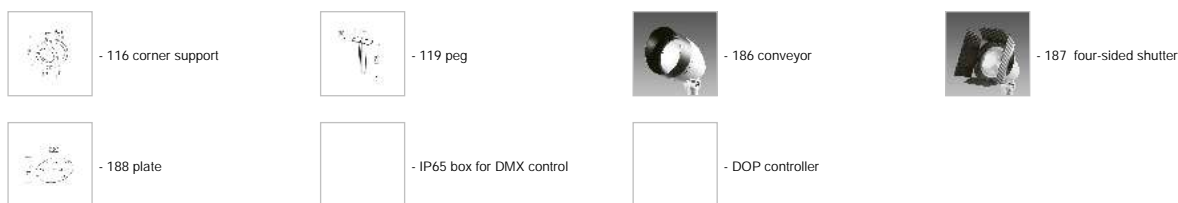


Download

- DXF 2D
- elfoled.dxf
- 3DS
- disano_1539_elfo.3ds
- 3DM
- disano_1539_elfo.3dm
- Montaggi
- elfo_dmx.pdf

Code	Gear	Kg	Lumen Output-K-CRI	WTot	Colour
432834-00	CLD	3,60	LED RGBW-1115lm--	41 W	GREY9007

Accessori



The reported luminous flux is the flux emitted by the light source with a tolerance of ± 10% compared to the indicated value. The W tot column indicates the total wattage absorbed by the system without exceeding 10% of the indicated