

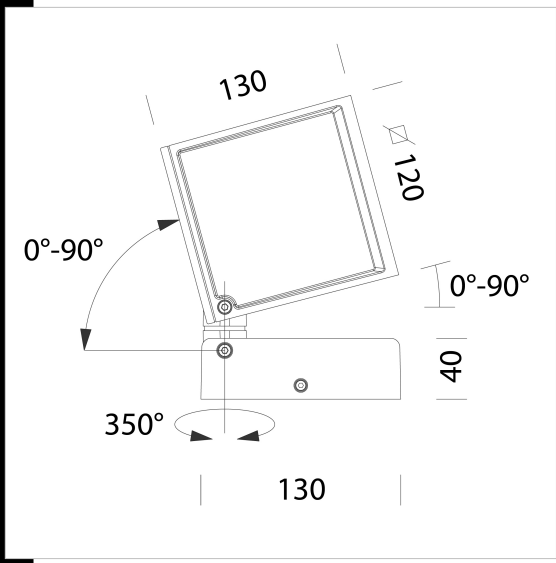


Download
 DXF 2D
 - squabas.dxf
 3DS
 - disano_2578_square.3ds
 3DM
 - disano_2578_square.3dm
 Montaggi
 - square 04-21.pdf
 BIM
 - 2578 Square - with square optics - 20200611.zip



2578 Square - with square optics

Housing: in die-cast aluminium. Diffuser: in extra-clear tempered glass, 4 mm thick, thermal shock and impact resistant. Reflector: in high-performance silver aluminium. Coating: the standard liquid immersion coating consists of a first metal surface pre-treatment stage, a successive epoxy cataphoresis corrosion and salt resistant coating, and a final layer of bi-component acrylic liquid UV-stabilised coating. Standard supply: supplied with plate for wall installation and cable with with IP68 airtight connector for mains connection. On request: DIMM 1/10 or DALI versions; 3000K versions with sub-code -39. Coating compliant with UNI EN ISO 9227 Corrosion tests in artificial atmospheres for aggressive environments.
 LED: Luminous flux maintenance 80%: 50.000h (L80B20). Power factor 0.92. Mounting: rapid connection, the fixture does not need to be opened. Photobiological risk: exempt, pursuant to EN62471.



Code	Gear	Kg	Lumen Output-K-CRI	WTot	Colour
431870-00	CLD	2.60	LED COB-3152lm-4000K-80°-CRI 90	43 W	WHITE
431871-00	CLD	2.60	LED COB-3152lm-4000K-80°-CRI 90	43 W	GRAPHITE

The reported luminous flux is the flux emitted by the light source with a tolerance of ± 10% compared to the indicated value. The W tot column indicates the total wattage absorbed by the system without exceeding 10% of the indicated