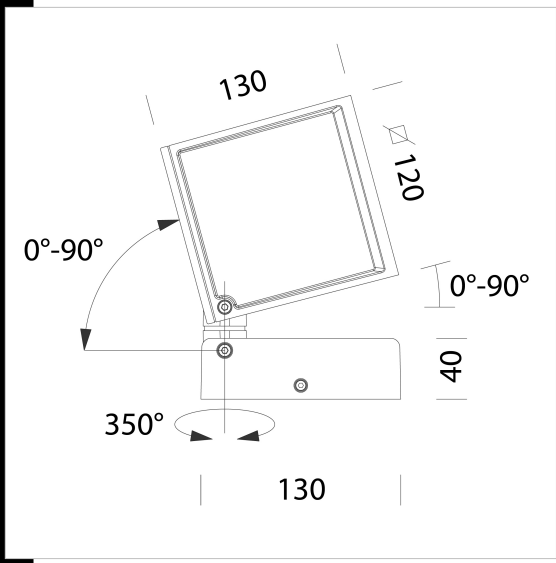


Download
DXF 2D
- squabas.dxf
3DS
- disano_2577_square.3ds
3DM
- disano_2577_square.3dm
Montaggi
- square 04-21.pdf
BIM
- 2577 Square - with reflector - 20200611.zip



2577 Square - with reflector

Housing: in die-cast aluminium. Diffuser: in extra-clear tempered glass, 4 mm thick, thermal shock and impact resistant. Reflector: in high-performance silver aluminium. Coating: the standard liquid immersion coating consists of a first metal surface pre-treatment stage, a successive epoxy cataphoresis corrosion and salt resistant coating, and a final layer of bi-component acrylic liquid UV-stabilised coating. Standard supply: supplied with plate for wall installation and cable with with IP68 airtight connector for mains connection. On request: DIMM 1/10 or DALI versions; 3000K versions with sub-code -39. Coating compliant with UNI EN ISO 9227 Corrosion tests in artificial atmospheres for aggressive environments.
LED: Luminous flux maintenance 80%: 50.000h (L80B20). Power factor 0.92. Mounting: rapid connection, the fixture does not need to be opened. Photobiological risk: exempt, pursuant to EN62471.



Code	Gear	Kg	Lumen Output-K-CRI	WTot	Colour
431860-00	CLD	2.58	LED COB-3111lm-4000K-48°-CRI 90	43 W	WHITE
431861-00	CLD	2.56	LED COB-3111lm-4000K-48°-CRI 90	43 W	GRAPHITE
431862-00	CLD	2.60	LED COB-3116lm-4000K-28°-CRI 90	43 W	WHITE
431863-00	CLD	2.60	LED COB-3116lm-4000K-28°-CRI 90	43 W	GRAPHITE
431864-00	CLD	2.60	LED COB-3021lm-4000K-13°-CRI 90	43 W	WHITE
431865-00	CLD	2.60	LED COB-3021lm-4000K-13°-CRI 90	43 W	GRAPHITE

The reported luminous flux is the flux emitted by the light source with a tolerance of ± 10% compared to the indicated value. The W tot column indicates the total wattage absorbed by the system without exceeding 10% of the indicated