

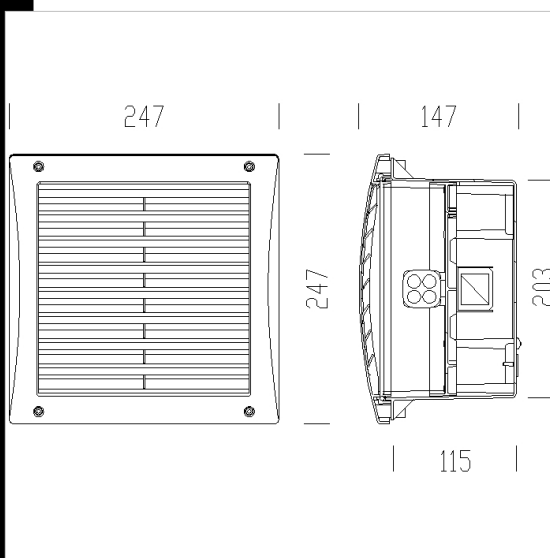
1628 Box 2 - with louvre

Housing: Square-shaped in f.g. nylon, grey (RAL 7035), vandal-resistant, UV-stabilized
 Frame: In UV-stabilized ASA, grey (RAL 7045)
 Diffuser: In vandal-resistant, V2 self-extinguishing polycarbonate, UV-stabilized
 Reflector: in bright white, vandal resistant, V2 self-extinguishing, UV-stabilized polycarbonate.
 Lampholder: In polycarbonate, with phosphor bronze contacts
 Electric gear: 230V/50Hz power supply. Hard wire, 0.50 sqmm cross-section. 2P terminal block with maximum allowed lead cross-section of 2.5 mm².
 Equipment: Rubber gasket. With polycarbonate gear tray
 Regulations: Produced according to applicable EN60598-1 CEI 34-21 standards, IP65IK08 degree of protection according to EN 60529 standards. This product can be installed on normally inflammable surfaces. Double insulation class.

Download

DXF 2D
- d1628.dxf

Montaggi
- box 2.pdf



Code	Gear	Kg	Lumen-K-CRI	WTot	Base	Colour
431842-00	CELL	2,20	FLC 1x18D/E-1200lm-4000K-Ra 1b	19 W	G24Q-2	GREY
431843-00	CELL	2,30	FLC 2x13D/E-900lm-4000K-1B	27 W	G24q-1	GREY

The reported luminous flux is the flux emitted by the light source with a tolerance of ± 10% compared to the indicated value. The W tot column indicates the total wattage absorbed by the system without exceeding 10% of the indicated