

Download

- DXF 2D
- 1537.di.dxf
- 3DS
- disano_1538_koala.3ds
- 3DM
- disano_1538_koala.3dm
- Montaggi
- koala.pdf
- BIM
- 1538 Koala - 230v - 20200611.zip



1538 Koala - 230v

Housing/frame: In diecast aluminium with wide cooling fins for great heat dissipation.

Base: In vandal resistant fiber glass nylon.

Diffuser: In silk-screen printed tempered glass.

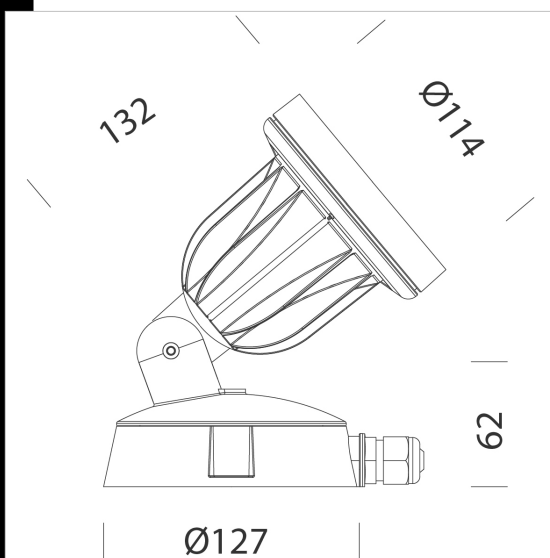
Graphite coating: the standard liquid immersion coating consists of a first metal surface pre-treatment stage for marine environments in compliance with UNI EN ISO 9227 regulation, a successive epoxy cataphoresis corrosion and salt resistant coating, and a final layer of bi-component acrylic liquid UV-stabilised coating. Grey 9006 coating: the standard powder coating consists of a first metal surface pre-treatment stage for marine environments in compliance with UNI EN ISO 9227 regulation and of single layer of UV-stabilised, corrosion and salt resistant polyester powder coating. Equipment: Cable gland Ø 3/8 gas thread.

Regulations: Produced according to applicable EN60598-1 CEI34-21 standards, IP65IK08 degree of protection according to EN 60529 standards. They can be installed on normally inflammable surfaces.

life 50.000h to 70% L70B50

Power factor 0.95

Photobiological safety class: exempt group



Code	Gear	Kg	Lumen Output-K-CRI	WTot	Colour	Surge
431837-00	CLD	0,81	LED COB-950lm-4000K-44°-CRI 80	10 W	GREY9006	1/2kV
431838-00	CLD	0,82	LED COB-950lm-4000K-44°-CRI 80	10 W	GRAPHITE	1/2kV
431839-00	CLD	0,82	LED COB-1900lm-4000K-44°-CRI 80	20 W	GREY9006	1/2kV
431840-00	CLD	0,64	LED COB-1900lm-4000K-44°-CRI 80	20 W	GRAPHITE	1/2kV

Accessori



- 115 pole plug



- 116 corner support



- 119 peg



- 118 clamp



- 120 pole mount



- 114 conveyor

The reported luminous flux is the flux emitted by the light source with a tolerance of ± 10% compared to the indicated value. The W tot column indicates the total wattage absorbed by the system without exceeding 10% of the indicated