

1536 Koala

Housing/frame: In diecast aluminium with wide cooling fins for great heat dissipation.

Base: In vandal resistant fiber glass nylon.

Diffuser: In silk-screen printed tempered glass.

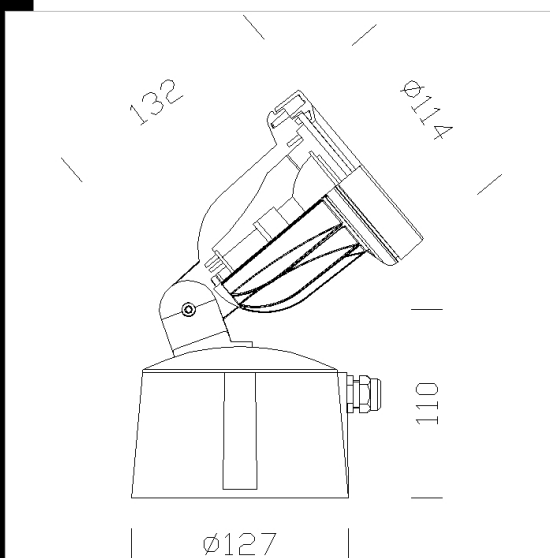
Painting: In several stages. First stage: black epoxy cationic electrocoating, upon chromate treatment, resistant to corrosive and saline environments. Second stage: UV-stabilizing primer, and lastly rough finish with metallic silver acrylic coating.

Lampholder: In ceramics, with silver-plated contacts. Socket GY6.35; GU5.3; Ba15d.

Electric gear: 230V 50Hz primary and 12V secondary power supply, toroidal type transformer. Silicone wire with glass braid, 1.0 sqmm cross-section. 2P terminal block with maximum allowed lead cross-section of 2.5 sqmm.

Equipment: Cable gland Ø 3/8 gas thread.

Regulations: Produced according to applicable EN60598-1 CEI34-21 standards, IP65IK08 degree of protection according to EN 60529 standards. They have obtained ENEC European Certificate of Conformity. They can be installed on normally inflammable surfaces. Double insulation.



Download

DXF 2D

- 1536n.dxf

3DS

- disano_1536_koala.3ds

3DM

- disano_1536_koala.3dm

Montaggi

- 117.dxf

- 121.dxf

- 114.dxf

- 120_115.dxf

- 118.dxf

- 116.dxf

- 1536_7koala_tn.pdf

- 119.dxf

Code	Gear	Kg	Watt	Base	Lamps	Colour
431821-00	CTL	1,00	DICR 50	GU5.3	--	GRAPHITE
431810-00	CTL	1,47	ALO 50 IRC	GY6.35	1250lm-3000K-Ra 100	MET. SILVER
431825-00	CTL	1,47	ALO 50 IRC	GY6.35	1250lm-3000K-Ra 100	GRAPHITE
431827-00	CELL	1,00	CDM-TM 35	PGJ5	2200lm-3000K-Ra 1b	GRAPHITE
431811-00	CTL	1,47	DICR 50	GU5.3	--	MET. SILVER
431822-00	CTL	1,00	AR70 50	BA15d	12500cd-3000K-Ra 100	GRAPHITE
431812-00	CTL	1,47	AR70 50	BA15d	12500cd-3000K-Ra 100	MET. SILVER
431826-00	CELL	1,00	CDM-TM 35	PGJ5	2200lm-3000K-Ra 1b	MET. SILVER

Accessories



- 118 clamp



- 119 peg



- 115 pole plug



- 116 corner support



- 114 conveyor



- 120 pole mount