



1536 Koala

Housing/frame: In diecast aluminium with wide cooling fins for great heat dissipation.

Base: In vandal resistant fiber glass nylon.

Diffuser: In silk-screen printed tempered glass.

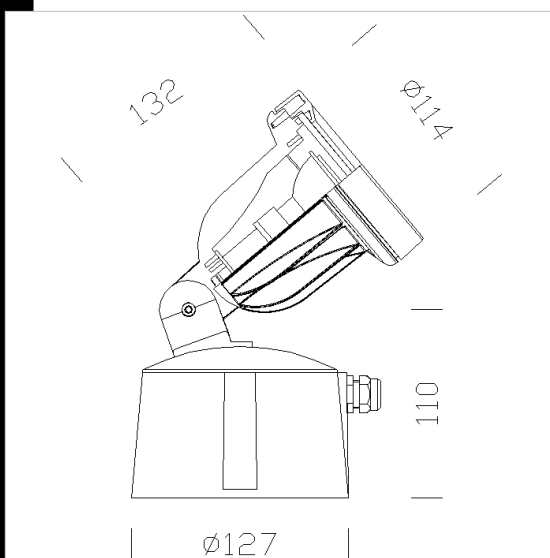
Painting: In several stages. First stage: black epoxy cationic electrocoating, upon chromate treatment, resistant to corrosive and saline environments. Second stage: UV-stabilizing primer, and lastly rough finish with metallic silver acrylic coating.

Lampholder: In ceramics, with silver-plated contacts. Socket GY6.35; GU5.3; Ba15d.

Electric gear: 230V 50Hz primary and 12V secondary power supply, toroidal type transformer. Silicone wire with glass braid, 1.0 sqmm cross-section. 2P terminal block with maximum allowed lead cross-section of 2.5 sqmm.

Equipment: Cable gland Ø 3/8 gas thread.

Regulations: Produced according to applicable EN60598-1 CEI34-21 standards, IP65IK08 degree of protection according to EN 60529 standards. They have obtained ENEC European Certificate of Conformity. They can be installed on normally inflammable surfaces. Double insulation.



Download

DXF 2D

- 1536n.dxf

3DS

- disano_1536_koala.3ds

3DM

- disano_1536_koala.3dm

Montaggi

- 116.dxf

- 119.dxf

- 117.dxf

- 121.dxf

- 114.dxf

- 120_115.dxf

- 118.dxf

- 1536_7koala_tn.pdf

Code	Gear	Kg	Lumen-K-CRI	WTot	Base	Colour
431810-00	CTL	1.47	ALO 50 IRC-1250lm-3000K-Ra 100	0 W	GY6.35	ARGENTO MET.

Accessories



- 115 pole plug



- 116 corner support



- 119 peg



- 118 clamp



- 120 pole mount



- 114 conveyor

The reported luminous flux is the flux emitted by the light source with a tolerance of ± 10% compared to the indicated value. The W tot column indicates the total wattage absorbed by the system without exceeding 10% of the indicated