



1537 Koala ES

Housing/frame: In diecast aluminium with wide cooling fins for great heat dissipation.

Base: In vandal resistant fiber glass nylon.

Diffuser: In silk-screen printed tempered glass.

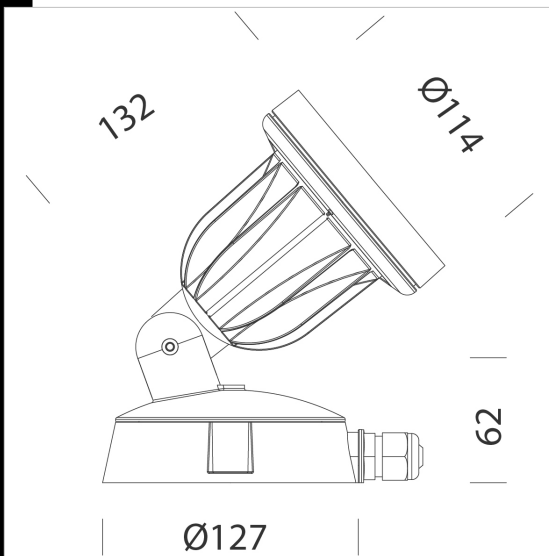
Graphite coating: the standard liquid immersion coating consists of a first metal surface pre-treatment stage for marine environments in compliance with UNI EN ISO 9227 regulation, a successive epoxy cataphoresis corrosion and salt resistant coating, and a final layer of bi-component acrylic liquid UV-stabilised coating. Grey 9006 coating: the standard powder coating consists of a first metal surface pre-treatment stage for marine environments in compliance with UNI EN ISO 9227 regulation and of single layer of UV-stabilised, corrosion and salt resistant polyester powder coating. Equipment: Cable gland Ø 3/8 gas thread.

Regulations: Produced according to applicable EN60598-1 CEI34-21 standards, IP65IK08 degree of protection according to EN 60529 standards. They can be installed on normally inflammable surfaces.

life 70%: 25.000h (L70B50).

Power factor 0.95

Photobiological safety class: exempt group



Code	Gear	Kg	Lumen Output-K-CRI	WTot	Base	Colour
431802-00	CLD-D	0,65	LED SMD-429lm-3000K-38°-CRI 80	7 W	GU10	GREY9006
431803-00	CLD-D	0,65	LED SMD-429lm-3000K-38°-CRI 80	7 W	GU10	GRAPHITE
431815-00	CLD S+L	0,65	LED SMD-429lm-3000K-38°-CRI 80	6 W	GU10	GREY9006
431824-00	CLD S+L	0,65	LED SMD-429lm-3000K-38°-CRI 80	6 W	GU10	GRAPHITE

Accessori



- 115 pole plug



- 116 corner support



- 119 peg



- 118 clamp



- 120 pole mount



- 114 conveyor

The reported luminous flux is the flux emitted by the light source with a tolerance of ± 10% compared to the indicated value. The W tot column indicates the total wattage absorbed by the system without exceeding 10% of the indicated