

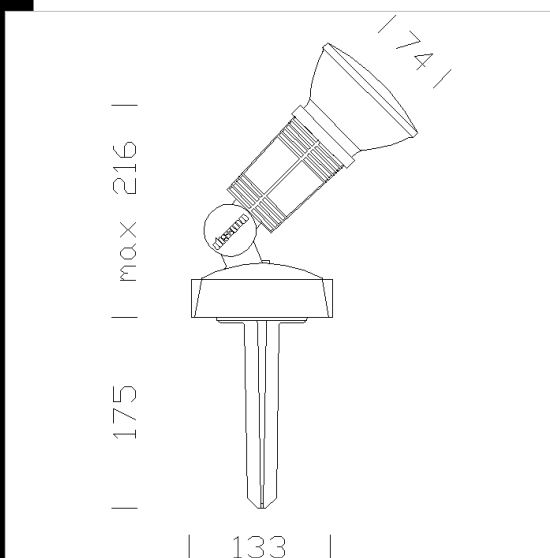
1220 Dafne

Housing: in vandal resistant and self-extinguishing fiber glass nylon.
Lampholder: In ceramics, with silver-plated contacts. Socket E27.
Electric gear: 230V/50 Hz power supply.
Equipment: Complete with base and ground spike.
Mounting: Wall or in the ground.
Regulations: Produced according to applicable EN60598-1 CEI34-21 standards, IP65IK08 degree of protection according to EN 60529 standards. Double insulation.

Download

DXF 2D
- 1220dfn.dxf

Montaggi
- dafne.pdf



Code	Gear	Kg	Lumen-K-CRI	WTot	Base	Colour
431801-00	S	0,38	LED PAR38---	0 W	E27	BLACK

Accessori



- 118 clamp



- 116 corner support



- 120 pole mount

The reported luminous flux is the flux emitted by the light source with a tolerance of $\pm 10\%$ compared to the indicated value. The W tot column indicates the total wattage absorbed by the system without exceeding 10% of the indicated