

1609 Box 1 - LED

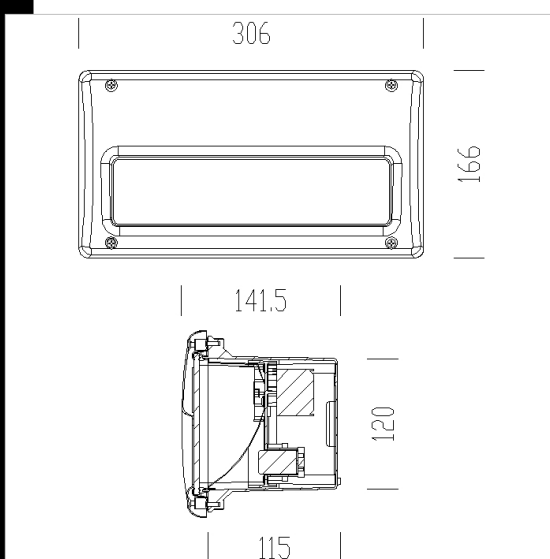
Housing: Rectangular in f.g. nylon, grey (RAL 7035), vandal-resistant, UV-stabilized (part to be recessed into wall)

Frame: In AISI 316 stainless steel, ideal for seaside areas too.

Diffuser: In tempered glass resistant to thermal shocks and impact

Version supplied with 1 strips 12LED. 116mA - 50/60Hz integrated ballast. .

Regulations: Produced according to applicable EN60598-1 CEI 34-21 standards, degree of protection according to EN 60529 standards.



Code	Gear	Kg	Lumen Output-K-CRI	WTot	Colour
431770-00	CLD	1,61	LED-74lm-4000K-CRI>80	4 W	STAINLESS STEEL



Download

DXF 2D
- 1609 led.dxf

Montaggi
- 1606-1607-1609 04-21.pdf

The reported luminous flux is the flux emitted by the light source with a tolerance of $\pm 10\%$ compared to the indicated value. The W tot column indicates the total wattage absorbed by the system without exceeding 10% of the indicated