

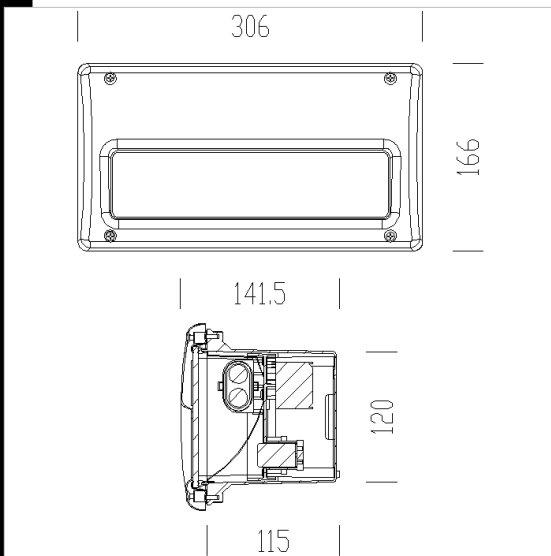
Download

DXF 2D
- 1609.dxf
Montaggi
- box1 01-17.pdf



1609 Box 1 - in stainless steel

Housing: Rectangular in f.g. nylon, grey (RAL 7035), vandal-resistant, UV-stabilized (part to be recessed into wall)
 Frame: In AISI 316 stainless steel, ideal for seaside areas too.
 Diffuser: In tempered glass resistant to thermal shocks and impact (UNI 7142 and British Standard 3193 tests).
 Reflector: asymmetric in scored aluminium
 Lampholder: In polycarbonate, with phosphor bronze contacts
 Electric gear: 230V/50Hz power supply. Hard wire, 0.50 sqmm cross-section. 2P terminal block with maximum allowed lead cross-section of 2.5 mm².
 Equipment: Rubber gasket. With polycarbonate gear tray
 Regulations: Produced according to applicable EN 60598-1/CEI 34-21 standards, IP65IK08 degree of protection according to EN 60529 standards. This product can be installed on normally inflammable surfaces. Double insulation class.



Code	Gear	Kg	Lumen-K-CRI	WTot	Base	Colour
431765-00	CELL	2.17	FLC 1x18L-1200lm-4000K-Ra 1b	19 W	2G11	STAINLESS STEEL

The reported luminous flux is the flux emitted by the light source with a tolerance of ± 10% compared to the indicated value. The W tot column indicates the total wattage absorbed by the system without exceeding 10% of the indicated