

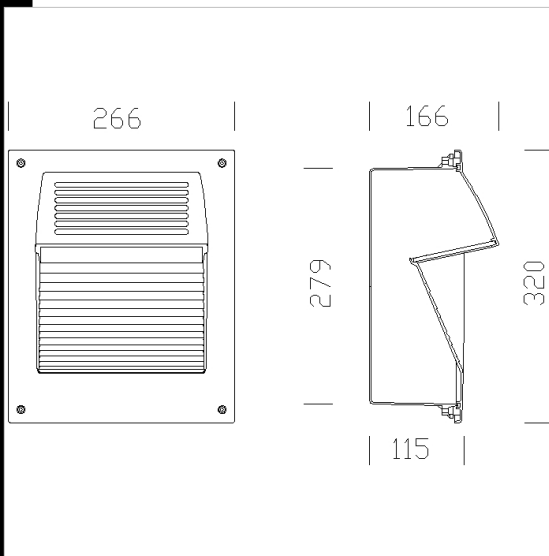


## 1624 Fonte - LED

Housing: UV-stabilized f.g. nylon.  
 Front frame: in die-cast aluminium.  
 Diffuser: in tempered glass, 4 mm thick, resistant to impact and thermal shock.  
 Coating: the standard liquid immersion coating consists of a first metal surface pre-treatment stage, a successive epoxy cataphoresis corrosion and salt resistant coating, and a final layer of bi-component acrylic liquid UV-stabilised coating.  
 Regulations: Produced according to applicable EN60598-1 CEI 34-21 standards, degree of protection according to EN 60529 standards.

### Download

- DXF 2D  
- 1829.dxf
- 3DS  
- disano\_1624\_fonte.3ds
- 3DM  
- disano\_1624\_fonte.3dm
- Montaggi  
- fonte 04-21.pdf
- BIM  
- 1624 Fonte - LED - 20200611.zip



Code	Gear	Kg	Lumen Output-K-CRI	WTot	Colour
431745-00	CLD	2.26	LED-76lm-4000K-CRI>80	4 W	GREY9007

The reported luminous flux is the flux emitted by the light source with a tolerance of  $\pm 10\%$  compared to the indicated value. The W tot column indicates the total wattage absorbed by the system without exceeding 10% of the indicated