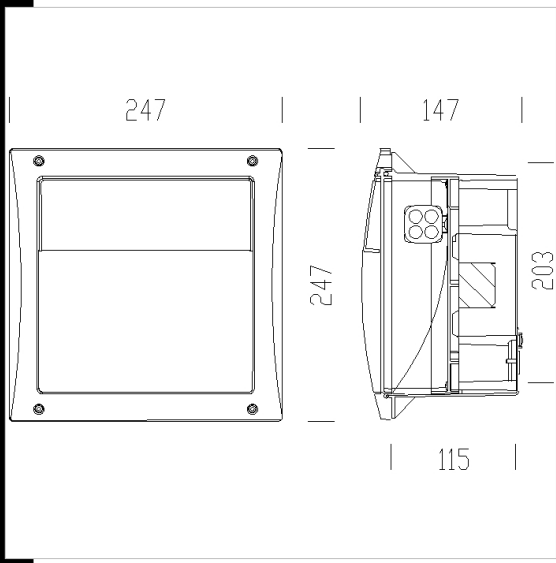


Download
DXF 2D
- d1627.dxf
Montaggi
- box 2.pdf

1627 Box 2 - with asymmetric eyelid diffuser



Housing: Square-shaped in f.g. nylon, grey (RAL 7035), vandal-resistant, UV-stabilized
 Frame: In UV-stabilized ASA, grey (RAL 7045) with eyelid shield.
 Diffuser: In vandal-resistant, V2 self-extinguishing polycarbonate, UV-stabilized
 Reflector: in bright white, vandal resistant, V2 self-extinguishing, UV-stabilized polycarbonate.
 Lampholder: In polycarbonate, with phosphor bronze contacts
 Electric gear: 230V/50Hz power supply. Hard wire, 0.50 sqmm cross-section. 2P terminal block with maximum allowed lead cross-section of 2.5 sqmm.
 Equipment: Rubber gasket. With polycarbonate gear tray
 Regulations: Produced according to applicable EN60598-1 CEI 34-21 standards, IP65IK08 degree of protection according to EN 60529 standards. This product can be installed on normally inflammable surfaces. Double insulation class.



Code	Gear	Kg	Watt	Base	Lamps	Colour
431742-00	CNR-L	1,90	FLC 1X18D	G24d-2	1200lm-4000K-Ra 1b	GREY
431742-08	CELL	1,30	FLC 1x18D/E	G24q-2	1200lm-4000K-Ra 1b	GREY