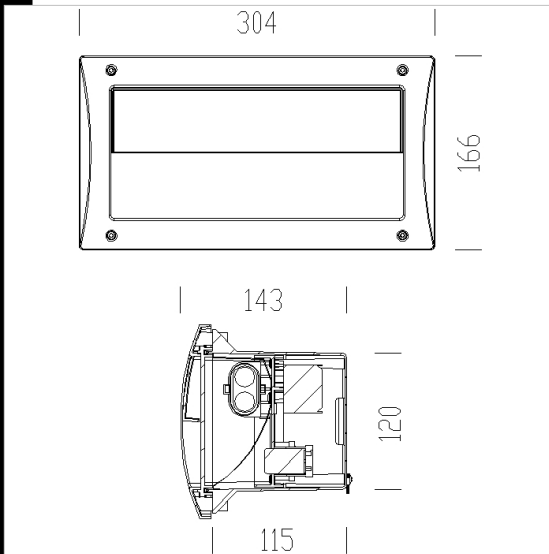


1607 Box 1 LED - asymmetric eyelid diffuser

Housing: in f.g. nylon, RAL 7035 grey, shatterproof and UV-stabilised.
 Frame: in thermoplastic material (designed for outdoor installation) UV-stabilised, in RAL 7045 grey.
 Reflector: in scored asymmetric aluminium.
 Equipment: rubber gasket. With polycarbonate gear tray.
 Version supplied with 1 strips 12LED. 116mA - 50/60Hz integrated ballast. .
 Regulations: Produced according to applicable EN60598-1 CEI 34-21 standards, degree of protection according to EN 60529 standards.

Download

- DXF 2D
- d1607.dxf
- Montaggi
- 1606-1607-1609 04-21.pdf
- BIM
- 1607 Box 1 - 20200224.zip



Code	Gear	Kg	Lumen Output-K-CRI	WTot	Colour
431735-00	CLD	1,09	LED-151lm-4000K-CRI>80	4 W	GREY

The reported luminous flux is the flux emitted by the light source with a tolerance of ± 10% compared to the indicated value. The W tot column indicates the total wattage absorbed by the system without exceeding 10% of the indicated