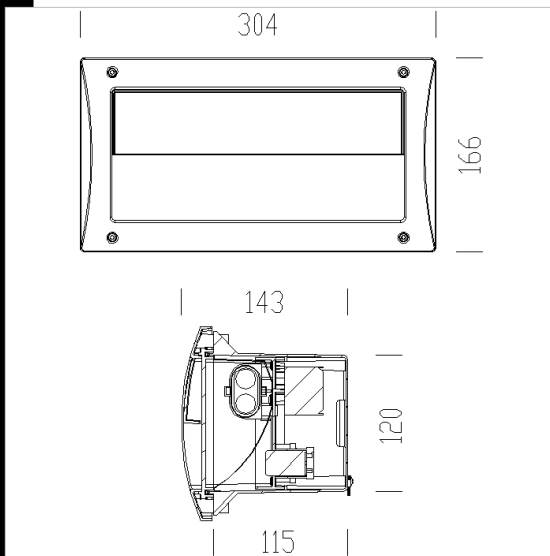


1607 Box 1 - with asymmetric eyelid diffuser

Housing: Rectangular in f.g. nylon, grey (RAL 7035), vandal-resistant, UV-stabilized.
 Frame: In UV-stabilized ASA, grey (RAL 7045) with eyelid shield.
 Diffuser: In clear vandal-resistant, V2 self-extinguishing polycarbonate, UV-stabilized
 Reflector: in scored aluminium
 Lampholder: In polycarbonate, with phosphor bronze contacts
 Electric gear: 230V/50Hz power supply. Hard wire, 0.50 sqmm cross-section. 2P terminal block with maximum allowed lead cross-section of 2.5 sqmm.
 Equipment: Rubber gasket. With polycarbonate gear tray
 Regulations: Produced according to applicable IEC 598-CEI 34-21 standards, IP65IK08 degree of protection according to EN 60529 standards. This product has been granted the ENEC European Certificate of Conformity and can be installed on normally inflammable surfaces. Double insulation class.

Download
 DXF 2D
 - d1607.dxf
 Montaggi
 - box1.dxf
 - box_1.pdf



Code	Gear	Kg	Watt	Base	Lamps	Colour
431730-00	CELL	1,59	FLC 1x18L	2G11	1200lm-4000K-Ra 1b	GREY
431730-08	CELL	1,59	FLC 1x18L	2G11	1200lm-4000K-Ra 1b	GREY