

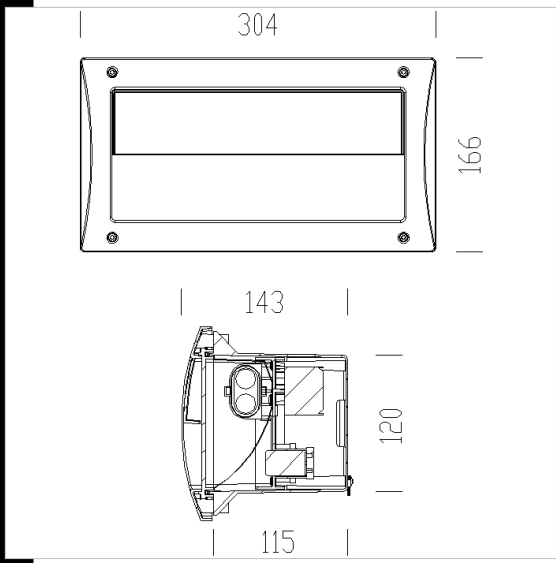


Download
DXF 2D
- d1607.dxf
Montaggi
- box1 01-17.pdf



1607 Box 1 - with asymmetric eyelid diffuser

Housing: Rectangular in f.g. nylon, grey (RAL 7035), vandal-resistant, UV-stabilized.
 Frame: In UV-stabilized ASA, grey (RAL 7045) with eyelid shield.
 Diffuser: In clear vandal-resistant, V2 self-extinguishing polycarbonate, UV-stabilized
 Reflector: in scored aluminium
 Lampholder: In polycarbonate, with phosphor bronze contacts
 Electric gear: 230V/50Hz power supply. Hard wire, 0.50 sqmm cross-section. 2P terminal block with maximum allowed lead cross-section of 2.5 sqmm.
 Equipment: Rubber gasket. With polycarbonate gear tray
 Regulations: Produced according to applicable IEC 598-CEI 34-21 standards, IP65IK08 degree of protection according to EN 60529 standards. This product has been granted the ENEC European Certificate of Conformity and can be installed on normally inflammable surfaces. Double insulation class.



Code	Gear	Kg	Lumen-K-CRI	WTot	Base	Colour
431730-00	CELL	1.59	FLC 1x18L-1200lm-4000K-Ra 1b	19 W	2G11	GREY

The reported luminous flux is the flux emitted by the light source with a tolerance of ± 10% compared to the indicated value. The W tot column indicates the total wattage absorbed by the system without exceeding 10% of the indicated