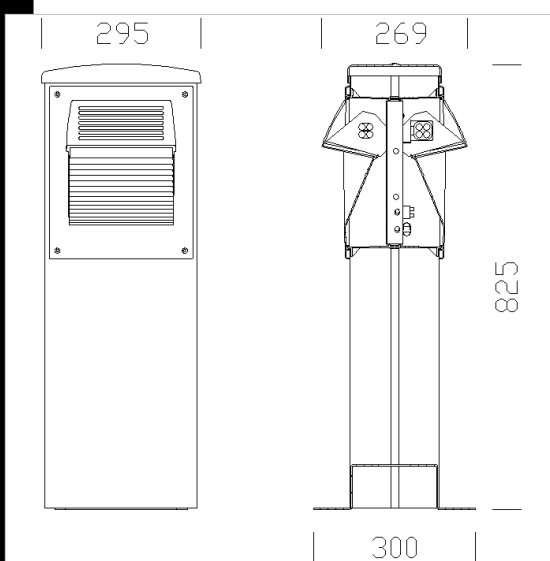


## 1632 Fonte - bilamp

Housing: UV-stabilized f.g. nylon.  
 Front frame: in die-cast aluminium.  
 Diffuser: in tempered glass, 4 mm thick, resistant to impact and thermal shock.  
 Coating: the standard liquid immersion coating consists of a first metal surface pre-treatment stage, a successive epoxy cataphoresis corrosion and salt resistant coating, and a final layer of bi-component acrylic liquid UV-stabilised coating.  
 Electric gear: 230V/50Hz power supply.  
 Standard supply: electric gear on removable tray for easy maintenance.  
 Complete with 2.5 mm<sup>2</sup> socket-pin connector  
 Column: in galvanized steel with f.g. nylon cover and sandblasted silver coating.

### Download

DXF 2D  
 - 1632.dxf  
 3DS  
 - disano\_1632\_fonte.3ds  
 3DM  
 - disano\_1632\_fonte.3dm  
 Montaggi  
 - fonte\_col\_mont.dxf  
 - fonte.pdf



Code	Gear	Kg	Lumen-K-CRI	WTot	Base	Colour
431721-00	CELL	13.49	CDM-T 35-3500lm-3000K-Ra 1b	84 W	G12	GREY9007
431720-00	CELL	12.05	FLC 2x26D/E-1800lm-4000K-Ra 1b	54 W	G24q-3	GREY9007

The reported luminous flux is the flux emitted by the light source with a tolerance of  $\pm 10\%$  compared to the indicated value. The W tot column indicates the total wattage absorbed by the system without exceeding 10% of the indicated