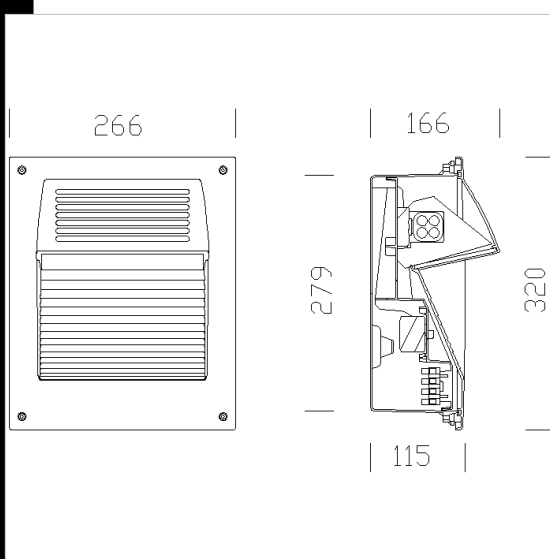


1630 Fonte - recessed

Housing: UV-stabilized f.g. nylon.
 Front frame: in die-cast aluminium.
 Diffuser: in tempered glass, 4 mm thick, resistant to impact and thermal shock.
 Coating: the standard liquid immersion coating consists of a first metal surface pre-treatment stage, a successive epoxy cataphoresis corrosion and salt resistant coating, and a final layer of bi-component acrylic liquid UV-stabilised coating.
 Electric gear: 230V/50Hz power supply.
 Standard supply: electric gear on removable tray for easy maintenance.

Download

- DXF 2D
- 1630.dxf
- 3DS
- disano_1630_fonte.3ds
- 3DM
- disano_1630_fonte.3dm
- Montaggi
- fonte.pdf
- 1630_mont.dxf



Code	Gear	Kg	Lumen-K-CRI	WTot	Base	Colour
431700-00	CELL	3.20	FLC 1x26D/E-1800lm-4000K-Ra 1b	27 W	G24q-3	GREY9007
431701-00	CELL	3.65	CDM-T 35-3500lm-3000K-Ra 1b	39 W	G12	GREY9007

The reported luminous flux is the flux emitted by the light source with a tolerance of $\pm 10\%$ compared to the indicated value. The W tot column indicates the total wattage absorbed by the system without exceeding 10% of the indicated