



1626 Box 2 - diffuser in scored matt polycarbonate

Housing: Square-shaped in f.g. nylon, grey (RAL 7035), vandal-resistant, UV-stabilized

Frame: In UV-stabilized ASA, grey (RAL 7045)

Diffuser: In vandal-resistant, V2 self-extinguishing polycarbonate, UV-stabilized

Reflector: in bright white, vandal resistant, V2 self-extinguishing, UV-stabilized polycarbonate.

Lampholder: In polycarbonate, with phosphor bronze contacts

Electric gear: 230V/50Hz power supply. Hard wire, 0.50 sqmm cross-section. 2P terminal block with maximum allowed lead cross-section of 2.5 mm².

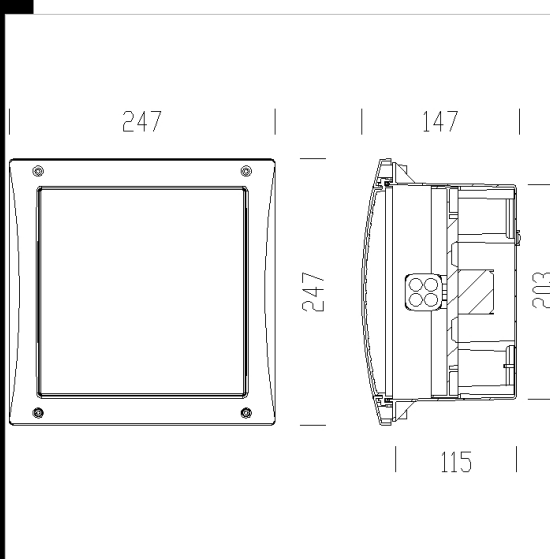
Equipment: Rubber gasket. With polycarbonate gear tray

Regulations: Produced according to applicable EN60598-1 CEI 34-21 standards, IP65IK08 degree of protection according to EN 60529 standards. This product can be installed on normally inflammable surfaces. Double insulation class.

Download

DXF 2D
- d1626.dxf

Montaggi
- box 2.pdf



Code	Gear	Kg	Watt	Base	Lamps	Colour
431640-00	S	1,30	MAX 40	E27	--	GREY
431642-00	CELL	1,40	FLC 1x18D/E	G24q-2	1200lm-4000K-Ra 1b	GREY
431643-00	CELL	1,84				GREY
431643-08	CELL	1,84	FLC 1x18D/E	G24q-2	1200lm-4000K-Ra 1b	GREY
431642-08	CELL	1,20	FLC 1x18D/E	G24q-2	1200lm-4000K-Ra 1b	GREY