

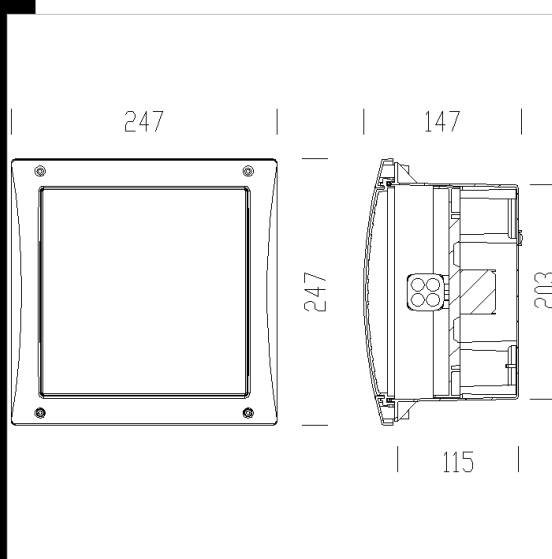
**Download**

DXF 2D  
- d1626.dxf  
Montaggi  
- box 2.pdf



**1626 Box 2 - diffuser in scored matt polycarbonate**

Housing: Square-shaped in f.g. nylon, grey (RAL 7035), vandal-resistant, UV-stabilized  
 Frame: In UV-stabilized ASA, grey (RAL 7045)  
 Diffuser: In vandal-resistant, V2 self-extinguishing polycarbonate, UV-stabilized  
 Reflector: in bright white, vandal resistant, V2 self-extinguishing, UV-stabilized polycarbonate.  
 Lampholder: In polycarbonate, with phosphor bronze contacts  
 Electric gear: 230V/50Hz power supply. Hard wire, 0.50 sqmm cross-section. 2P terminal block with maximum allowed lead cross-section of 2.5 mm<sup>2</sup>.  
 Equipment: Rubber gasket. With polycarbonate gear tray  
 Regulations: Produced according to applicable EN60598-1 CEI 34-21 standards, IP65IK08 degree of protection according to EN 60529 standards. This product can be installed on normally inflammable surfaces. Double insulation class.



Code	Gear	Kg	Lumen-K-CRI	WTot	Base	Colour
431640-00	S	1.30	MAX 40---	0 W	E27	GRIGIO
431642-00	CELL	1.40	FLC 1x18D/E-1200lm-4000K-Ra 1b	19 W	G24q-2	GRIGIO
431643-00	CELL	1.84	FLC 2x13D/E-900lm-4000K-1B	27 W	G24q-1	GRIGIO

The reported luminous flux is the flux emitted by the light source with a tolerance of ± 10% compared to the indicated value. The W tot column indicates the total wattage absorbed by the system without exceeding 10% of the indicated