

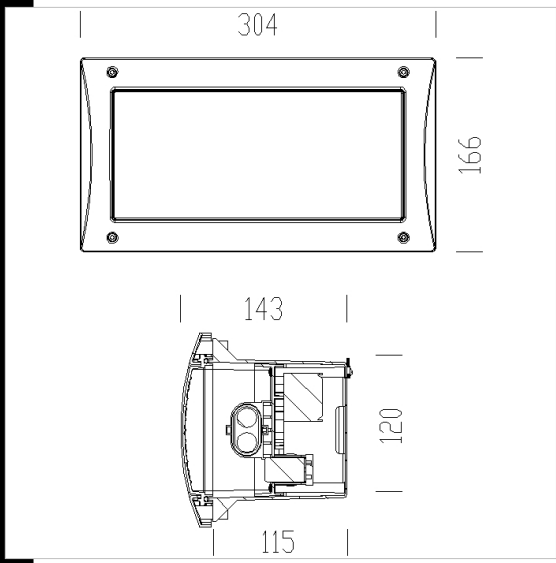


Download
DXF 2D
- d1606.dxf
Montaggi
- box1 01-17.pdf



1606 Box 1 - diffuser in scored matt polycarbonate

Housing: Rectangular in f.g. nylon, grey (RAL 7035), vandal-resistant, UV-stabilized.
 Frame: In UV-stabilized ASA, grey (RAL 7045)
 Diffuser: In vandal-resistant, V2 self-extinguishing polycarbonate, UV-stabilized
 Reflector: in bright white vandal resistant, V2 self-extinguishing, UV-stabilized polycarbonate
 Lampholder: In polycarbonate, with phosphor bronze contacts
 Electric gear: 230V/50Hz power supply. Hard wire, 0.50 sqmm cross-section. 2P terminal block with maximum allowed lead cross-section of 2.5 sqmm.
 Equipment: Rubber gasket. With polycarbonate gear tray
 Regulations: Produced according to applicable EN60598-CEI 34-21 standards, IP65IK08 degree of protection according to EN 60529 standards. This product can be installed on normally inflammable surfaces. Double insulation class.



Code	Gear	Kg	Lumen-K-CRI	WTot	Base	Colour
431630-00	CELL	1.47	FLC 1x18L-1200lm-4000K-Ra 1b	19 W	2G11	GREY

The reported luminous flux is the flux emitted by the light source with a tolerance of ± 10% compared to the indicated value. The W tot column indicates the total wattage absorbed by the system without exceeding 10% of the indicated