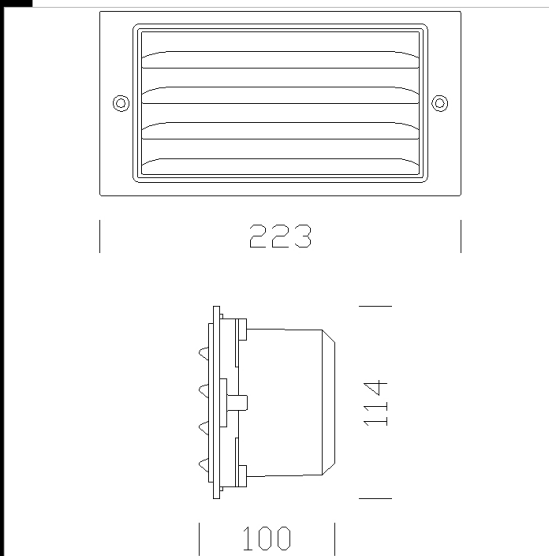


1211 Box LED - asymmetric eyelid diffuser

Housing: In nylon.  
 Frame: In die-cast aluminium.  
 Diffuser: In tempered glass resistant to thermal shocks and impact  
 Painting: Epoxy cationic electrocoating, black (frame/grid), resistant to corrosive and saline environments, upon chromate treatment, rough finish with acrylic coating.  
 Regulations: Produced according to applicable EN60598-1 CEI 34-21 standards, IP54IK08 degree of protection according to EN 60529 standards. Double insulation class.



Code	Gear	Kg	Lumen Output-K-CRI	WTot	Colour
431602-00	CLD	0,50	LED-66lm-4000K-CRI 80	3 W	GRAPHITE



Download

DXF 2D  
- 1208box.dxf

Montaggi  
- box 07-20.pdf

The reported luminous flux is the flux emitted by the light source with a tolerance of  $\pm 10\%$  compared to the indicated value. The W tot column indicates the total wattage absorbed by the system without exceeding 10% of the indicated