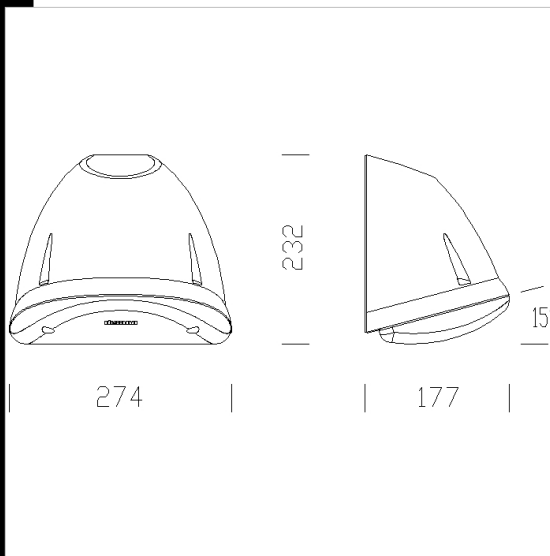


## 1285 Green

Housing: In fiberglass nylon, vandal resistant.  
 Diffuser: In matt polycarbonate, anti-dazzle, vandal resistant and V2 self-extinguishing, UV-stabilized.  
 Reflector: In hammered anodized, polished 99.85 aluminium.  
 Lampholder: In polycarbonate, with contacts in phosphor bronze. Socket 2G11.  
 Electric gear: 230-240V/50Hz power supply with conventional ballast. Hard wire, 0.50 sqmm cross section, PVC-HT sheath, resistant up to 90°C, according to CEI 20-20 standards. 2P+T terminal block, with maximum allowed lead cross section of 2.5 sqmm.  
 Equipment: Gasket in environment-friendly material. Cable gland in f.g. nylon Ø 1/2 gas thread (cable min Ø 9 max Ø 12). Retained antivandal steel screws.  
 Regulations: Produced according to applicable EN60598 -1 CEI 34-21 standards, IP65IK08 degree of protection according to EN 60529 standards. They have obtained the ENEC European Certificate of Conformity. These products can be installed on normally inflammable surfaces.

### Download

DXF 2D  
 - 1285.dxf  
 Montaggi  
 - 1285\_green.pdf



Code	Gear	Kg	Lumen-K-CRI	WTot	Base	Colour
428600-08	CELL	1.70	FLC 2x18D/E-1200lm-4000K-Ra 1b	38 W	G24q-2	GREY

### Accessories



- 503 ø 60 double connection



- 502 ø 60 single connection

### Posts



- 5 fiberglass pole

The reported luminous flux is the flux emitted by the light source with a tolerance of ± 10% compared to the indicated value. The W tot column indicates the total wattage absorbed by the system without exceeding 10% of the indicated