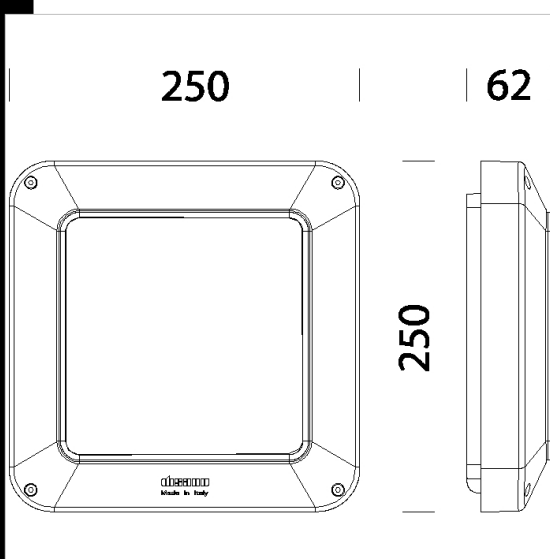


1848 Riquadro - LUXURY

Housing/frame: In diecast aluminium.
Diffuser: In anti-glare, vandal resistant and V2 self-extinguishing methacrylate, UV stabilized, smooth outside, dustproof.
Regulations: Produced according to applicable EN60598-1 CEI 34-21 standards, IP65IK08 degree of protection according to EN 60529 standards. These products can be installed on normally inflammable surfaces.
LEDs: Power factor: ≥ 0.92
Luminous flux maintenance 80%: 50000h (L80B20)



Code	Gear	Kg	Lumen Output-K-CRI	WTot	Colour
427552-00	CLD	1,44	LED-1032lm-4000K-CRI 80	9 W	GREY9007
427552-09	CLD-E	2,00	LED-1032lm-4000K-CRI 80	12 W	GREY9007



Download

- DXF 2D
- 1848.dxf
- Montaggi
- 1848.pdf
- BIM
- 1848 Riquadro - 20200514.zip

The reported luminous flux is the flux emitted by the light source with a tolerance of $\pm 10\%$ compared to the indicated value. The W tot column indicates the total wattage absorbed by the system without exceeding 10% of the indicated