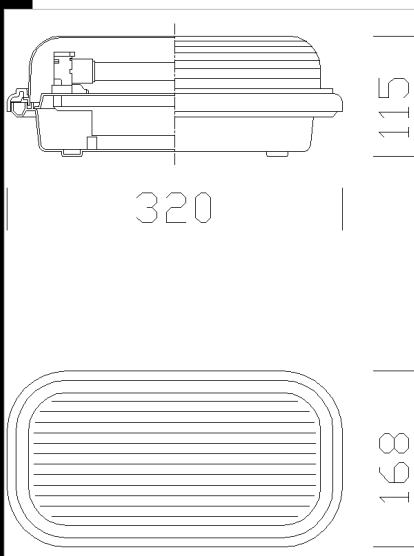


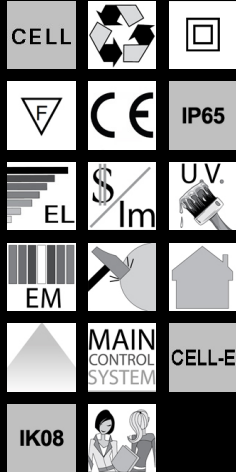
1542 Orma



Housing: In white vandal resistant and V2 self-extinguishing polycarbonate, UV-stabilized.
 Reflector: In white vandal resistant and V2 self-extinguishing polycarbonate, UV-stabilized.
 Diffuser: In anti-glare, vandal resistant and V2 self-extinguishing matt polycarbonate, UV-stabilized, smooth outside, dustproof.
 Lampholder: In polycarbonate, phosphor bronze contacts. Socket 2G11; 2G7 for the version with separate emergency kit.
 Electric gear: 230V/50Hz power supply. Hard wire 0.50 sqmm cross-section and PVC-HT sheath resistant up to 90°C according to CEI 20-20 standards. Nylon terminal block with maximum allowed lead cross-section of 2.5 sqmm.
 Mounting: Ceiling or wall.
 Regulations: Produced according to applicable IEC 60598 -1 CEI 34 - 21 standards, IP65 degree of protection according to EN 60529 standards. They can be installed on normally inflammable surfaces. Double insulation.
 Emergency light version: If a black-out occurs, only one lamp connected to the emergency circuit will stay on (maintained version), thus avoiding the inconvenience caused by a sudden absence of all light. It has a 60-minute emergency run time. When power is restored, the battery recharges automatically.



Code	Gear	Kg	Lumen-K-CRI	WTot	Base	Colour
427541-08	CELL	1,20	FLC 1x18L-1200lm-4000K-Ra 1b	19 W	2G11	GREY
427550-08	CELL-E	1,34	FLC 1x11S/E-900lm-4000k-Ra 1b	16 W	2G7	GREY



Download

DXF 2D
- 1542orm.dxf

Montaggi
- COSMO_CUBO_ORMA.pdf

The reported luminous flux is the flux emitted by the light source with a tolerance of $\pm 10\%$ compared to the indicated value. The W tot column indicates the total wattage absorbed by the system without exceeding 10% of the indicated