



1540 Cosmo

Housing: In vandal resistant and V2 self-extinguishing polycarbonate, UV-stabilized.

Reflector: In white vandal resistant and V2 self-extinguishing polycarbonate, UV-stabilized.

Diffuser: In anti-glare, vandal resistant and V2 self-extinguishing matt polycarbonate, UV-stabilized, smooth outside, dustproof.

Lampholder: In polycarbonate, phosphor bronze contacts. Socket 2G11; G10q; 2G7 for the version with separate emergency kit.

Electric gear: 230V/50Hz power supply. Hard wire 0.50 sqmm cross-section and PVC-HT sheath resistant up to 90°C according to CEI 20-20 standards. Terminal block with maximum allowed lead cross-section of 2.5 sqmm.

Mounting: Ceiling or wall.

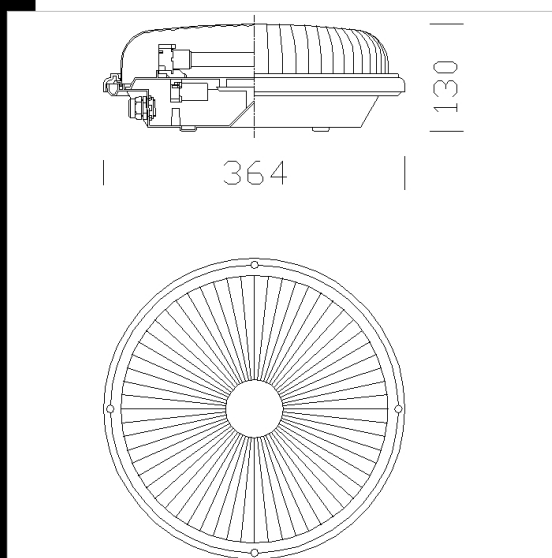
Regulations: Produced according to applicable IEC 60598-1 CEI 34 - 21 standards, IP65 degree of protection according to EN 60529 standards. They can be installed on normally inflammable surfaces. Double insulation.

Emergency light version: If a black-out occurs, only one lamp connected to the emergency circuit will stay on (maintained version), thus avoiding the inconvenience caused by a sudden absence of all light. It has a 60-minute emergency run time. When power is restored, the battery recharges automatically.

Download

DXF 2D
- 1540cosm.dxf

Montaggi
- COSMO_CUBO_ORMA.pdf



Code	Gear	Kg	Lumen-K-CRI	WTot	Base	Colour
427344-08	CELL	1,90	FC 22-1250lm-4000K-Ra 1b	24 W	G10q	GREY
427342-00	CNR-L	1,98	FLC 2x18L-1200lm-4000K-Ra 1b	43 W	2G11	GREY
427350-08	CELL-E	2,47	FLC 1x11S/E-900lm-4000k-Ra 1b	28 W	2G7	GREY
427342-08	CELL	1,99	FLC 2x18L-1200lm-4000K-Ra 1b	38 W	2G11	GREY

The reported luminous flux is the flux emitted by the light source with a tolerance of $\pm 10\%$ compared to the indicated value. The W tot column indicates the total wattage absorbed by the system without exceeding 10% of the indicated