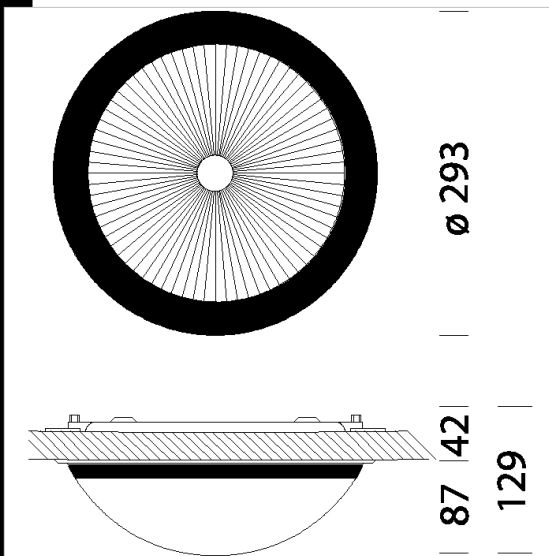
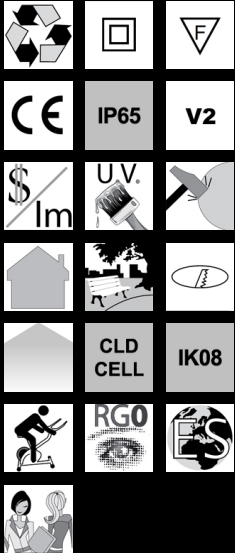


1846 Globo - partially recessed LED

Housing: partially recessed in vandal resistant and V2 self-extinguishing and UV-stabilized polycarbonate.  
 Diffuser: In anti-dazzle, vandal resistant and V2 self-extinguishing polycarbonate, UV-stabilized, smooth outside, dustproof.  
 Equipment: Gasket in environment-friendly material. Cable gland in fiber glass nylon Ø 1/2 gas thread (cable min. Ø 9 max. Ø 12).  
 Regulations: Produced according to applicable EN60598-1 CEI 34 - 21 standards, IP65IK08 degree of protection according to EN 60529 standards. In double insulation.  
 Photobiological safety class: exempt group EN62471.



Code	Gear	Kg	Lumen Output-K-CRI	WTot	Colour
427238-00	CLD CELL	1.70	LED-1487lm-4000K-CRI>80	14 W	GRIGIO



Download  
DXF 2D  
- 1846.dxf

The reported luminous flux is the flux emitted by the light source with a tolerance of ± 10% compared to the indicated value. The W tot column indicates the total wattage absorbed by the system without exceeding 10% of the indicated