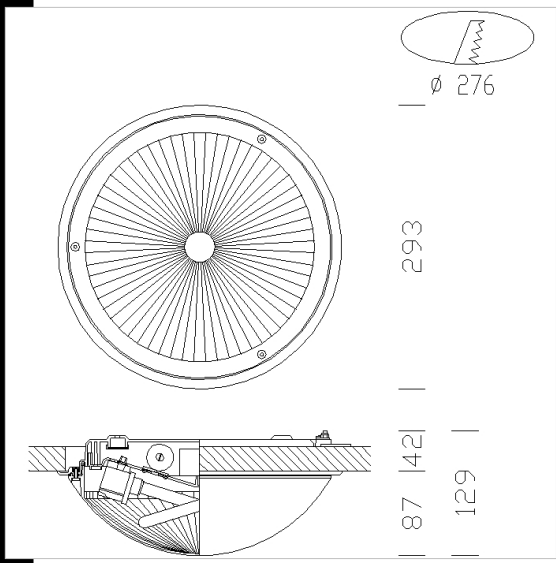


Download
DXF 2D
- d1546.dxf
Montaggi
- 1543-4-6_cono_globo.pdf



1546 Globo - partially recessed

Housing: partially recessed in vandal resistant and V2 self-extinguishing and UV-stabilized polycarbonate.
Diffuser: In anti-dazzle, vandal resistant and V2 self-extinguishing polycarbonate, UV-stabilized, smooth outside, dustproof.
Reflector: In high gloss aluminium or white polycarbonate.
Lampholder: In polycarbonate, phosphor bronze contacts. Socket G23; E27.
Electric gear: 230V/50Hz power supply. Hard wire 0.50 sqmm cross-section and PVC-HT sheath resistant up to 90°C according to CEI 20-20 standards or hard silicone wire with glass braid and 0.75 sqmm cross section. 2P or 2P+T terminal block with maximum allowed lead cross-section of 2.5 sqmm.
Equipment: Gasket in environment-friendly material. Cable gland in fiber glass nylon Ø 1/2 gas thread (cable min. Ø 9 max. Ø 12).
Regulations: Produced according to applicable EN60598-1 CEI 34 - 21 standards, IP65IK08 degree of protection according to EN 60529 standards. In double insulation.



Code	Gear	Kg	Lumen-K-CRI	WTot	Base	Colour
427236-00	S	0.70	INC 100-1380lm-2700K-Ra 100	100 W	E27	GREY
427237-08	CELL	0.70	FLC 2x9S-600lm-4000k-Ra 1b	19 W	G23	GREY

The reported luminous flux is the flux emitted by the light source with a tolerance of ± 10% compared to the indicated value. The W tot column indicates the total wattage absorbed by the system without exceeding 10% of the indicated