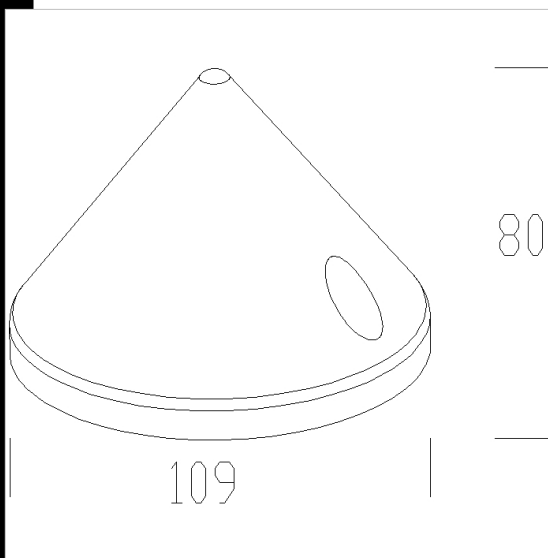
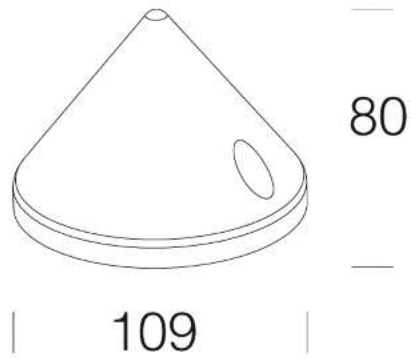


Download
DXF 2D
- 367.dxf



| Code | Kg | WTot | Colour |
|-----------|------|------|----------|
| 426998-00 | 0,43 | 0 W | GREY9007 |
| 426997-00 | 0,43 | 0 W | GRAPHITE |
| 426995-00 | 0,43 | 0 W | BLACK |

Pali



- 1409 fluted pole ø100

The reported luminous flux is the flux emitted by the light source with a tolerance of $\pm 10\%$ compared to the indicated value. The W tot column indicates the total wattage absorbed by the system without exceeding 10% of the indicated