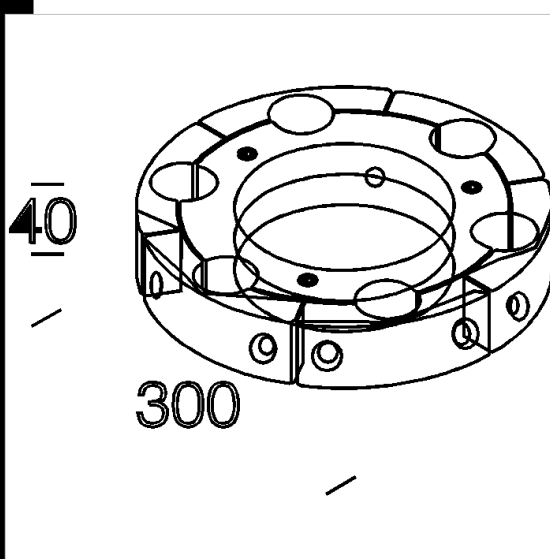
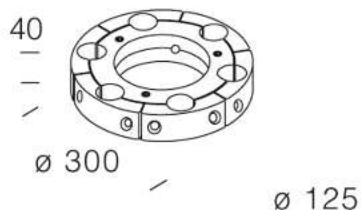


1465 flange ø120

In die-cast aluminium, epoxy cationic electrocoating, black, rough finish. With 6 arm-stop sections to reinforce the structure. For 1508/1509 poles.

Download

- DXF 2D  
- d1465.dxf
- 3DS  
- disano\_1465.3ds
- 3DM  
- disano\_1465.3dm



Code	Kg	WTot	Colour
426985-00	2,37	0 W	BLACK
427001-00	2,37	0 W	GRAPHITE
426991-00	2,37	0 W	GREY9007

Pali



- 1508 fluted pole ø120 with



- 1509 fluted pole ø120

Prodotti



- 1765 Lanterna 1



- 1760 Lanterna 1 - with louvre



- 1751 Metropolis narrow beam



- 1597 Vista - with louvre



- 3131 Tex medium beam



- 1599 Vista



- 3124 Ghost - direct and indirect light



- 1762 Lanterna 1



- 1511 Torcia against light



- 1511 Torcia



- 1599 Vista against light



- 3172 Montecarlo



- 3174 Montecarlo with glass



- 3136 Campana - Wide beam



- 3137 Campana



- 1770 Lanterna 2 - with louvre



- 1502 Polar



- 3132 Tex wide beam



- 1763 Lanterna 1 - indirect light



- 1595 Vista - with opal diffuser

The reported luminous flux is the flux emitted by the light source with a tolerance of ± 10% compared to the indicated value. The W tot column indicates the total wattage absorbed by the system without exceeding 10% of the indicated

Prodotti

	- 1752 Metropolis wide beam		- 1320 large base		- 1214 Clima		- 3114 Ghost - direct and indirect light
	- 1313 aluminum base CNRL		- 1598 Vista - indirect light		- 1313 aluminium base S/CNR		- 1771 Lanterna 2 - with diffuser
	- 1504 Clima		- 3183 Sforza Ø500		- 1513 Torcia LED COB		- 1766 Lanterna LED
	- 1753 Metropolis bike trails		- 3186 Sforza Ø500 centre road		- 1514 Clima for zona 1		- 3171 Montecarlo - asymmetric
	- 1598 Vista		- 3175 Montecarlo LED - wide beam - elliptical lenses		- 1517 Clima LED		- 3224 Sforza LED wide beam
	- 3142 Campana LED		- 1518 Clima LED against light pollution		- 1202 Polar		- 3226 Sforza LED centre road
	- 1512 Bastia - LED		- 3227 Sforza LED		- 1221 Bastia		- 1750 Metropolis
	- 3141 Campana LED		- 3301 Visconti 2 - with glass		- 3307 Visconti 8 LED -		- 3310 Visconti 11 LED
	- 3752 Metropolis - LED		- 3751 Metropolis - LED - wide		- 3146 Campana LED		- 1204 Clima
	- 1764 Lanterna 1 - indirect light						

The reported luminous flux is the flux emitted by the light source with a tolerance of  $\pm 10\%$  compared to the indicated value. The W tot column indicates the total wattage absorbed by the system without exceeding 10% of the indicated