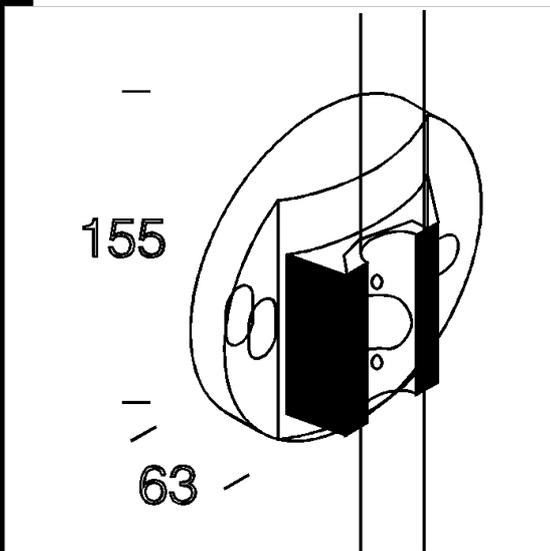
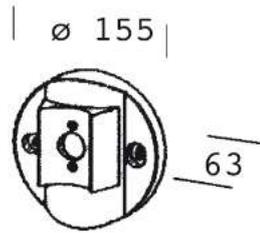


1361 wall mounting

Made up of a spacer and a base in diecast aluminium, epoxy-cationic electrocoating. For wall installation of acc. 1362 or 1363 arms

Download

- DXF 2D
- d1361.dxf
- 3DS
- disano_1361.3ds
- 3DM
- disano_1361.3dm



Code	Kg	WTot	Colour
426987-00	0,64	0 W	GREY9007
426983-00	0,64	0 W	BLACK

Prodotti



- 1335 Globo LED against light

The reported luminous flux is the flux emitted by the light source with a tolerance of $\pm 10\%$ compared to the indicated value. The W tot column indicates the total wattage absorbed by the system without exceeding 10% of the indicated