

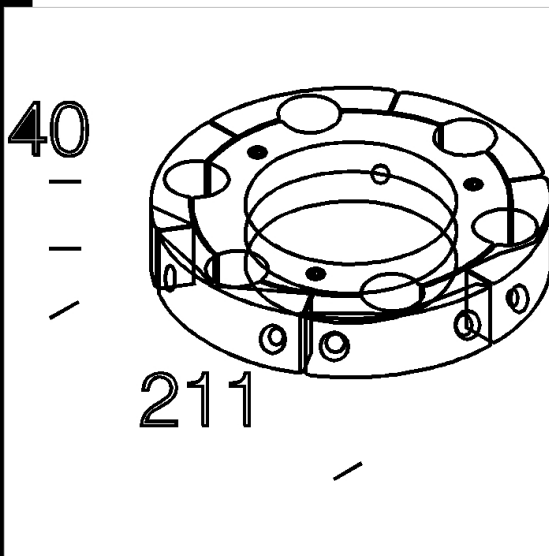


3DM
- disano_1365.3dm



1365 flange ø100

In die-cast aluminium, cationic electrocoating. To reinforce the structure, complete with 6 arm stop sections. To be mounted on 1408/1409 poles. To be used with arms acc. 1373.



Code	Kg	WTot	Colour
426989-00	0.42	0 W	GREY9007
426982-00	0.42	0 W	BLACK

Posts



- 1408 fluted ø100 pole with



- 1409 fluted pole ø100

Products



- 1203 Kenia



- 3124 Ghost - direct and indirect light



- 3172 Montecarlo



- 3174 Montecarlo with glass



- 1502 Polar



- 1320 large base



- 1214 Clima



- 3114 Ghost - direct and indirect light



- 1313 aluminium base CNRL



- 1313 aluminium base S/CNR



- 1504 Clima



- 1514 Clima for zona 1



- 3171 Montecarlo - asymmetric



- 3175 Montecarlo LED - wide beam - elliptical lenses



- 1517 Clima LED



- 1518 Clima LED against light pollution



- 1202 Polar



- 1335 Globo LED against light pollution



- 1512 Bastia - LED



- 1221 Bastia

The reported luminous flux is the flux emitted by the light source with a tolerance of ± 10% compared to the indicated value. The W tot column indicates the total wattage absorbed by the system without exceeding 10% of the indicated

Products



- 1204 Clima

The reported luminous flux is the flux emitted by the light source with a tolerance of $\pm 10\%$ compared to the indicated value. The W tot column indicates the total wattage absorbed by the system without exceeding 10% of the indicated