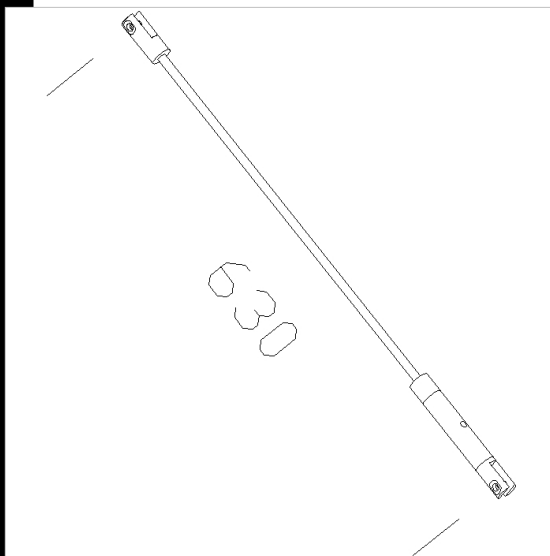
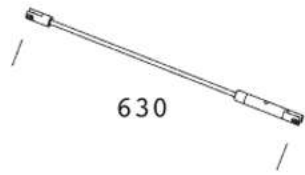


Download  
DXF 2D  
- acc\_215.dxf



Code	Kg	WTot	Colour
426960-00	0,24	0 W	STEEL

**Prodotti**



- 1751 Metropolis narrow beam



- 1752 Metropolis wide beam



- 1756 Monza HP - high



- 1753 Metropolis bike trails



- 3182 Sforza Ø500 - pedestrian crossings left



- 3184 Sforza Ø500 - pedestrian crossings right



- 1750 Metropolis



- 3189 Sforza Ø500



- 1756 Monza FX

The reported luminous flux is the flux emitted by the light source with a tolerance of  $\pm 10\%$  compared to the indicated value. The W tot column indicates the total wattage absorbed by the system without exceeding 10% of the indicated