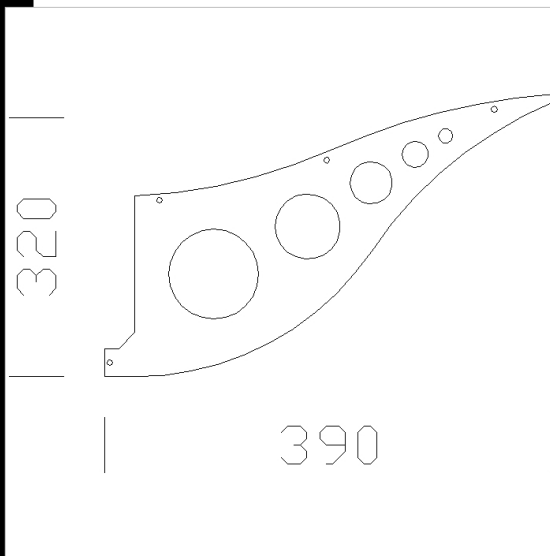
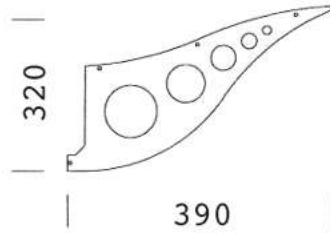


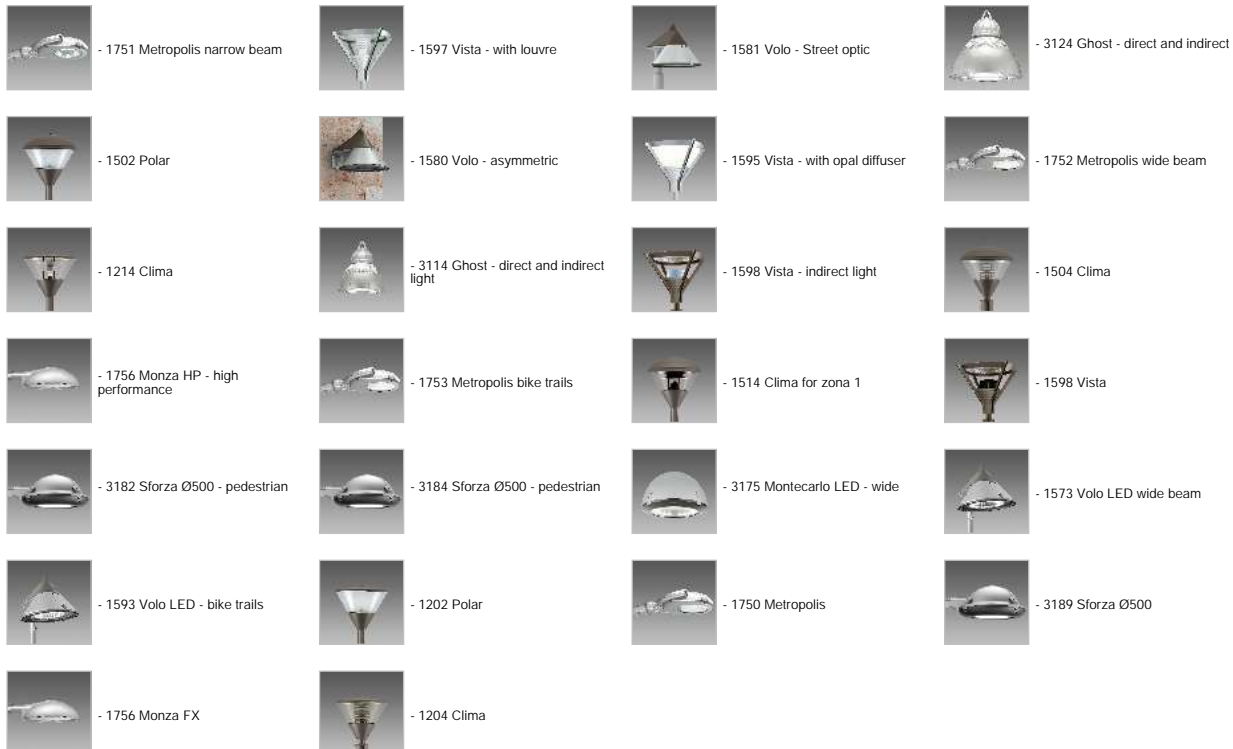
**Download**

- DXF 2D  
- acc\_214.dxf
- 3DS  
- disano\_214.3ds
- 3DM  
- disano\_214.3dm



Code	Kg	WTot	Colour
426958-00	1,00	0 W	GREY9007

**Prodotti**



The reported luminous flux is the flux emitted by the light source with a tolerance of ± 10% compared to the indicated value. The W tot column indicates the total wattage absorbed by the system without exceeding 10% of the indicated