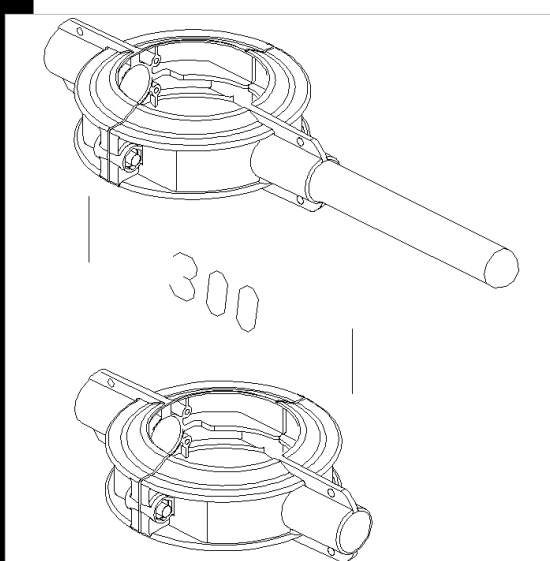
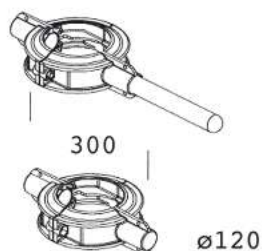


Download

- DXF 2D
- acc_213.dxf
- 3DS
- disano_213.3ds
- 3DM
- disano_213.3dm
- Montaggi
- acc_213_218.pdf



Code	Kg	WTot	Colour
426957-00	2,00	0 W	GRAPHITE
426956-00	2,00	0 W	GREY9007

Prodotti



The reported luminous flux is the flux emitted by the light source with a tolerance of ± 10% compared to the indicated value. The W tot column indicates the total wattage absorbed by the system without exceeding 10% of the indicated

213 Attacco standard lungo

Prodotti



- 1202 Polar



- 1750 Metropolis



- 3189 Sforza Ø500



- 3752 Metropolis - LED



- 3751 Metropolis - LED - wide beam



- 1756 Monza FX



- 1204 Clima

The reported luminous flux is the flux emitted by the light source with a tolerance of $\pm 10\%$ compared to the indicated value. The W tot column indicates the total wattage absorbed by the system without exceeding 10% of the indicated