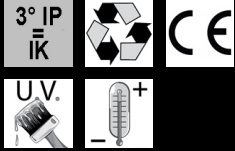


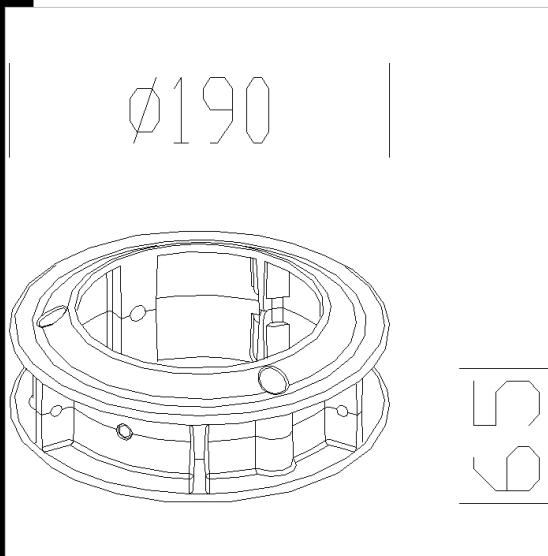
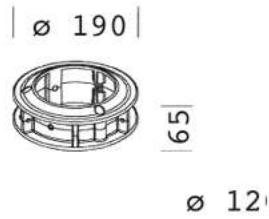
212 Anello giunzione

To be used with acc 214/215



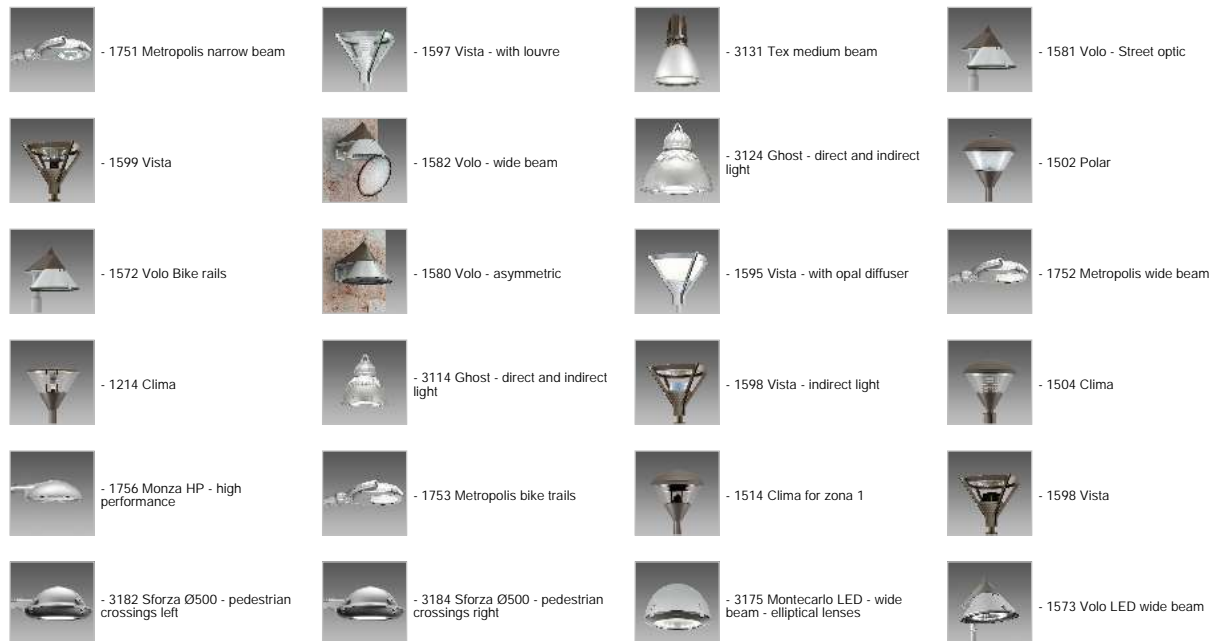
Download

- DXF 2D
- acc_212.dxf
- 3DS
- disano_212.3ds
- 3DM
- disano_212.3dm



| Code | Kg | WTot | Colour |
|-----------|------|------|----------|
| 426954-00 | 0,93 | 0 W | GREY9007 |
| 426955-00 | 0,93 | 0 W | GRAPHITE |

Prodotti



The reported luminous flux is the flux emitted by the light source with a tolerance of ± 10% compared to the indicated value. The W tot column indicates the total wattage absorbed by the system without exceeding 10% of the indicated

212 Anello giunzione

Prodotti



- 1593 Volo LED - bike trails



- 1202 Polar



- 1750 Metropolis



- 3189 Sforza Ø500



- 1756 Monza FX



- 1204 Clima

The reported luminous flux is the flux emitted by the light source with a tolerance of $\pm 10\%$ compared to the indicated value. The W tot column indicates the total wattage absorbed by the system without exceeding 10% of the indicated