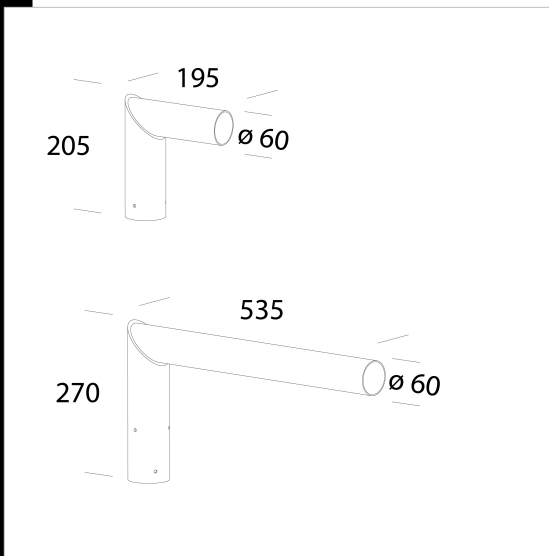
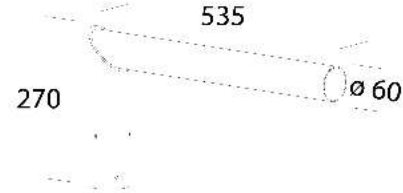
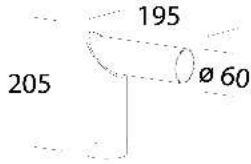




205 mast-top mount

To be used for mast-top installation on pole Ø60. 90° fix.
426941-00: L 195mm
426948-00: L 535mm
426948-00: L 535mm



Code	Kg	WTot	Colour
426948-00	1.60	0 W	GREY9007
426949-00	1.60	0 W	GRAPHITE
426941-00	1.60	0 W	GALVANIZED

Products



- 1755 Monza - with flat glass



- 1756 Monza HP - high



- 3185 Sforza Ø500



- 3187 Sforza Ø600



- 3380 Susa ME - street type



- 1756 Monza FX



- 3381 Susa T3 - street type



- 3382 Susa T2 - bike trails

The reported luminous flux is the flux emitted by the light source with a tolerance of ± 10% compared to the indicated value. The W tot column indicates the total wattage absorbed by the system without exceeding 10% of the indicated