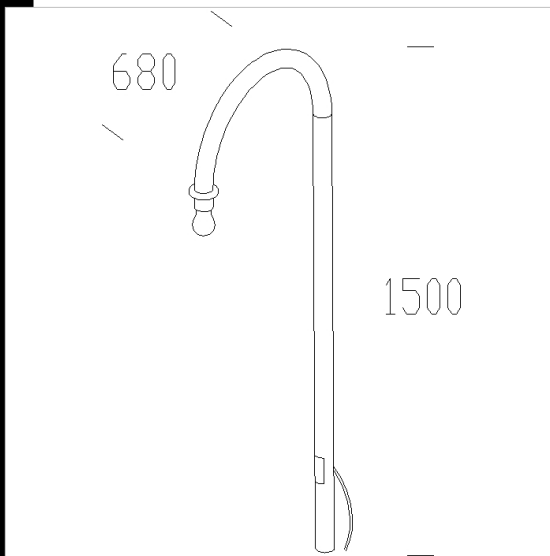
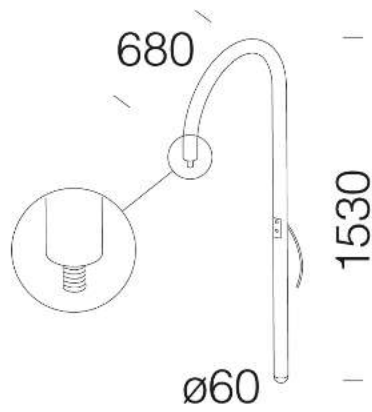




3DM
- disano_1473.3dm

1473 bent arm

Composed of a spacer and a base in die-cast aluminium, epoxy cationic electrocoating, black and rough finish. Provides installation poles and wall. To be used with art. 1555 Brera and art. 1590 Laser.



Code	Kg	WTot	Colour
426915-00	6.80	0 W	BLACK
426921-00	6.80	0 W	GREY9007

Posts



- 1508 fluted pole ø120 with



- 1509 fluted pole ø120



- 1491 poles to be sunk into the



- 1493 pole with base

Products



- 1765 Lanterna 1



- 1760 Lanterna 1 - with louvre



- 3124 Ghost - direct and indirect light



- 1762 Lanterna 1



- 3172 Montecarlo



- 3174 Montecarlo with glass



- 3136 Campana - Wide beam



- 3137 Campana



- 3132 Tex wide beam



- 1763 Lanterna 1 - indirect light



- 3114 Ghost - direct and indirect light



- 3188 Sforza Ø600 centre road



- 3183 Sforza Ø500



- 3186 Sforza Ø500 centre road



- 3171 Montecarlo - asymmetric



- 3175 Montecarlo LED - wide beam - elliptical lenses



- 1517 Clima LED



- 3224 Sforza LED wide beam



- 3142 Campana LED



- 1518 Clima LED against light pollution

The reported luminous flux is the flux emitted by the light source with a tolerance of ± 10% compared to the indicated value. The W tot column indicates the total wattage absorbed by the system without exceeding 10% of the indicated

Products



- 3226 Sforza LED centre road



- 1512 Bastia - LED



- 3227 Sforza LED



- 3141 Campana LED



- 3301 Visconti 2 - with glass



- 3307 Visconti 8 LED - Amenities



- 3310 Visconti 11 LED



- 3146 Campana LED



- 1764 Lanterna 1 - indirect light with glass

The reported luminous flux is the flux emitted by the light source with a tolerance of $\pm 10\%$ compared to the indicated value. The W tot column indicates the total wattage absorbed by the system without exceeding 10% of the indicated