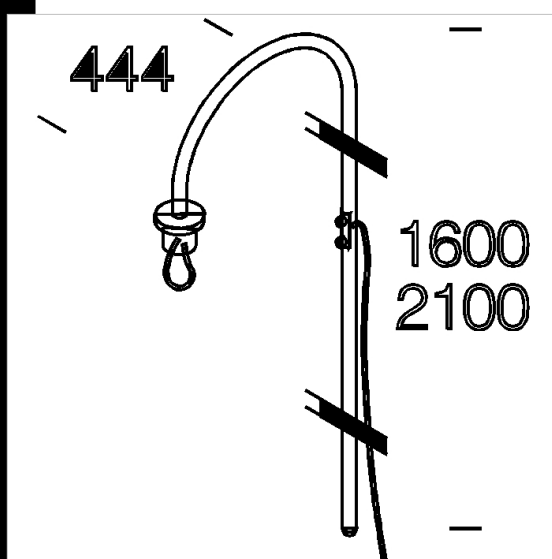
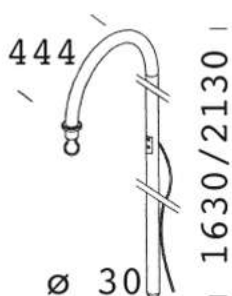


1363 downward arm

In tropicalized steel Ø 30, epoxy cationic electrocoating, black, rough finish with polyurethane resin.
3x0.75 silicone wire in PVC sheath already inserted.

Download

- DXF 2D
- d1363.dxf
- 3DS
- disano_1363_426917_00.3ds
- 3DM
- disano_1363_426917_00.3dm



Code	Kg	WTot	Colour
426912-00	3,70	0 W	BLACK
426911-00	3,10	0 W	BLACK
426916-00	3,10	0 W	GREY9007
426917-00	3,70	0 W	GREY9007

Pali



- 1408 fluted σ 100 pole with



- 1409 fluted pole σ 100

Prodotti



- 1320 large base



- 1313 aluminum base CNRL



- 1313 aluminium base S/CNR

The reported luminous flux is the flux emitted by the light source with a tolerance of $\pm 10\%$ compared to the indicated value. The W tot column indicates the total wattage absorbed by the system without exceeding 10% of the indicated