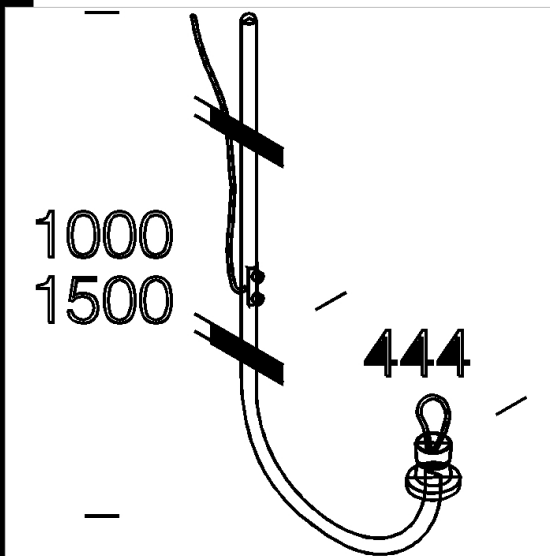
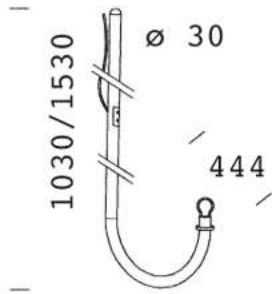




3DM  
- disano\_1362\_426906\_00.3dm

1362 upward arm

In tropicalized steel Ø 30, epoxy cationic electrocoating, black, rough finish with polyurethane resin.  
3x0.75 silicone wire in PVC sheath already inserted.



Code	Kg	WTot	Colour
426902-00	2.90	0 W	BLACK
426901-00	2.30	0 W	BLACK
426906-00	2.30	0 W	GREY9007
426907-00	2.90	0 W	GREY9007

Posts



- 1408 fluted Ø100 pole with



- 1409 fluted pole Ø100

Products



- 1203 Kenia



- 1502 Polar



- 1320 large base



- 1214 Clima



- 1313 aluminum base CNRL



- 1313 aluminium base S/CNR



- 1504 Clima



- 1514 Clima for zona 1



- 1202 Polar



- 1335 Globo LED against light pollution



- 1221 Bastia



- 1204 Clima

The reported luminous flux is the flux emitted by the light source with a tolerance of ± 10% compared to the indicated value. The W tot column indicates the total wattage absorbed by the system without exceeding 10% of the indicated