

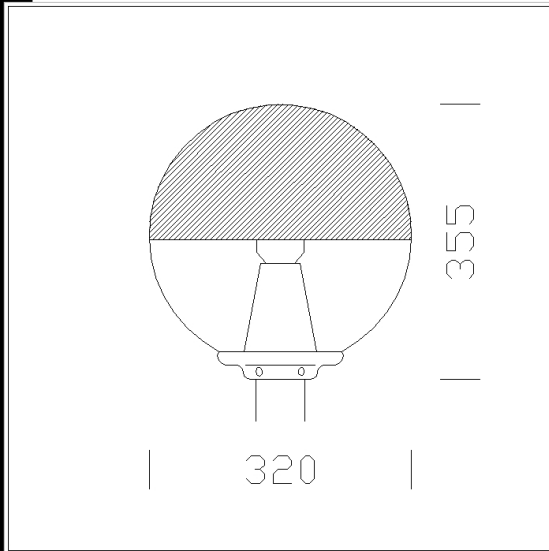
Download

DXF 2D
- 1355.dxf
Montaggi
- 1313-1320-1350-1355-1356-1357
02-18.pdf



1355 Sferico paint special

Globe: Spherical diffuser in vandal resistant and V2 self-extinguishing polycarbonate, UV-stabilized.
Base: in black f.g. nylon
Lampholder: In ceramics, already silicone wired and connected to the terminal fixed in the base. Socket E27.
Mounting: On pole or arm with 60 mm diam. connector.
Equipment: anti-gripping steel bolts with steel nut built into the base for higher mechanical resistance.
Regulations: Produced according to applicable EN60598-1 CEI 34-21 standards, IP65IK08 degree of protection according to EN 60529 standards. It has been granted the ENEC European Certificate of Conformity.
Isulation class II.
Non-polluting louvre, ideal for installation in zone 1 (UNI10819).



Code	Gear	Kg	Lumen-K-CRI	WTot	Base	Colour
426716-0016	S	1,60	FLC 1x23EL-1550lm-2700K-Ra 1b	23 W	E27	BLACK
426717-0016	S	1,60	FLC 1x23EL-1550lm-2700K-Ra 1b	23 W	E27	SANDBLASTED SILVER

Accessori



- 1326 long ceiling mount



- 1324 suspension unit

The reported luminous flux is the flux emitted by the light source with a tolerance of $\pm 10\%$ compared to the indicated value. The W tot column indicates the total wattage absorbed by the system without exceeding 10% of the indicated