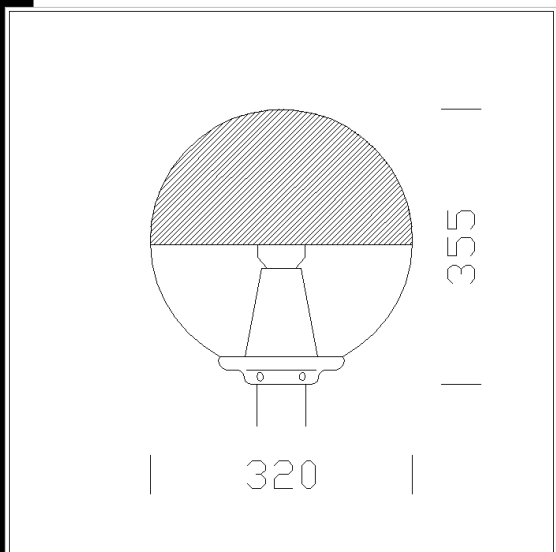




**1355 Sferico paint**

Globe: Spherical diffuser in vandal resistant and V2 self-extinguishing polycarbonate, UV-stabilized.  
 Base: in black f.g. nylon  
 Lampholder: In ceramics, already silicone wired and connected to the terminal fixed in the base. Socket E27.  
 Mounting: On pole or arm with 60 mm diam. connector.  
 Equipment: anti-gripping steel bolts with steel nut built into the base for higher mechanical resistance.  
 Regulations: Produced according to applicable EN60598-1 CEI 34-21 standards, IP65IK08 degree of protection according to EN 60529 standards. It has been granted the ENEC European Certificate of Conformity.  
 Isulation class II.  
 Non-polluting louvre, ideal for installation in zone 1 (UNI10819).

**Download**  
 DXF 2D  
 - 1355.dxf  
 Montaggi  
 - 1313-1320-1350-1355-1356-1357  
 02-18.pdf



Code	Gear	Kg	Lumen-K-CRI	WTot	Base	Colour
426717-21	S	0.00	FLC 1x23EL-1550lm-2700K-Ra 1b	23 W	E27	WHITE
426716-00	S	1.66	FLC 1x23EL-1550lm-2700K-Ra 1b	23 W	E27	BLACK
426717-00	S	1.60	FLC 1x23EL-1550lm-2700K-Ra 1b	23 W	E27	SANDBLASTED SILVER

**Accessories**



- 1326 long ceiling mount



- 1324 suspension unit

The reported luminous flux is the flux emitted by the light source with a tolerance of ± 10% compared to the indicated value. The W tot column indicates the total wattage absorbed by the system without exceeding 10% of the indicated