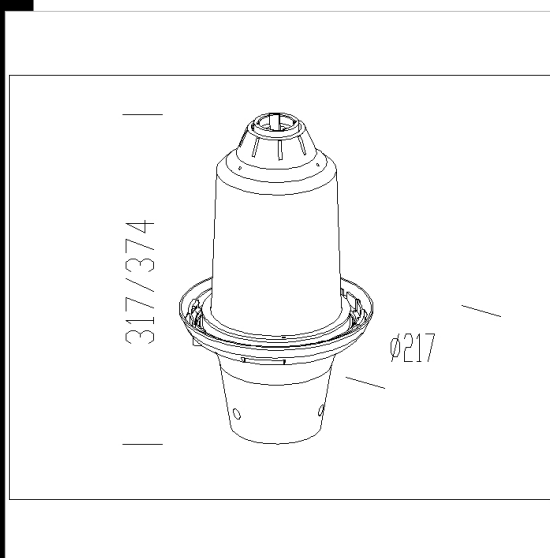


1330 painted for globe base

Black aluminium base and lampholder cup. To be used with acc. 1305/1306 globes and acc. 1328/1329 louvre only. For light-pollution prevention in accordance with UNI 10819. Standard supply for installation on Ø60/76 poles.

Download

- DXF 2D
- 1330.dxf
- Montaggi
- 1330-1335 02-21.pdf



Code	Gear	Kg	Lumen-K-CRI	WTot	Base	Colour
426281-00	CNR-L	3,15	JM-E 70---	82 W	E27	GRAPHITE
426283-00	CNR-L	3,25	JM-E 100-9000lm-3200K-Ra 2a	114 W	E27	GRAPHITE
426280-00	CNR-L	3,00	SAP-E 70-5600lm-2000K-Ra 4	82 W	E27	GRAPHITE
426282-00	CNR-L	3,10	SAP-E 100---	114 W	E40	GRAPHITE

Accessori



- 1326 long ceiling mount



- 1324 suspension unit



- 1328 baffle louvre for zone 3



- 1327 baffle louvre for zone 2



- 1329 baffle louvre

The reported luminous flux is the flux emitted by the light source with a tolerance of ± 10% compared to the indicated value. The W tot column indicates the total wattage absorbed by the system without exceeding 10% of the indicated