



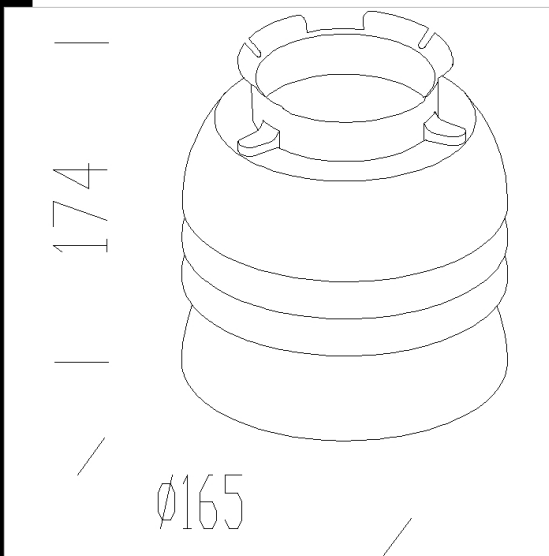
Download

DXF 2D
- 1319.dxf



1329 baffle louvre

In anodized 99.5 aluminium. Max 125 version for acc. 1313.
Grey colour is ideal for better lamp shielding, recommended only where there are professional astronomic observatories.



Code	Kg	Lumen-K-CRI	WTot	Base	Colour
426276-0016	0,47	SAP-E 100---	0 W	E40	ALUMINIUM
426276-00	0,50	MAX 100---	0 W	E27	ALUMINIUM

Prodotti



- 1331 sand blasted silver globe



- 1332 black globe special



- 1330 painted for globe base



- 1331 sand blasted silver globe



- 1313 aluminum base CNRL



- 1313 aluminium base S/CNR



- 1300 TR



- 1332 black globe

The reported luminous flux is the flux emitted by the light source with a tolerance of $\pm 10\%$ compared to the indicated value. The W tot column indicates the total wattage absorbed by the system without exceeding 10% of the indicated