



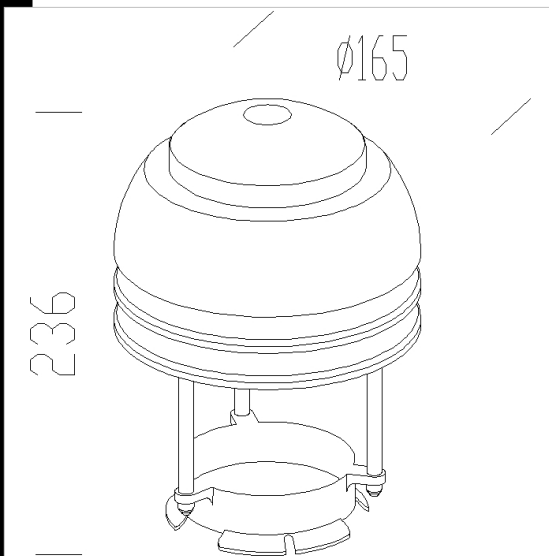
Download

DXF 2D
- 1327_28.dxf



1328 baffle louvre for zone 3

In aluminium. For diffuser installation in zone 3 environments.



| Code | Kg | Lumen-K-CRI | WTot | Base | Colour |
|-----------|------|-------------|------|------|-----------|
| 426274-00 | 0,50 | MAX 100--- | 0 W | E27 | ALUMINIUM |

Prodotti



- 1305 sand blasted silver globe



- 1330 painted for globe base



- 1313 aluminium base CNRL



- 1305 sand blasted silver globe



- 1306 black globe



- 1313 aluminium base S/CNR



- 1300 TR

The reported luminous flux is the flux emitted by the light source with a tolerance of ± 10% compared to the indicated value. The W tot column indicates the total wattage absorbed by the system without exceeding 10% of the indicated