

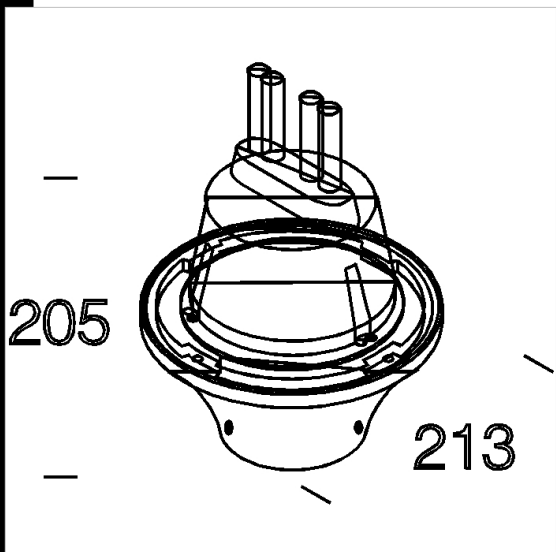


Download
DXF 2D
- d1313cnr.dxf
3DS
- 1313_base.3ds
3DM
- 1313_base.3dm
Montaggi
- 1313-1320-1350-1355-1356-1357
02-18.pdf



1313 aluminum base CNRL

Housing: In die-cast aluminium complete with wiring container.
Painting: Housing in epoxy cationic electrocoating, upon chromate treatment, resistant to corrosion and saline mist. Wiring container in nylon, in UV-stabilized, anti-yellowing acrylic anionic electrocoating, upon chromate treatment.
Electric gear: 230V/50Hz power supply. Flexible silicone wire terminated with quick-connect clamps in admiralty brass, with fiber-glass braid, 1.5 sqmm cross-section. 2P+T terminal block with maximum allowed lead cross section of 4 sqmm.
Standard supply: Ring to secure the aluminium diffuser with a waterproof gasket.
Use: For 380; 450; 500 diam. diffusers.
Mounting: on poles or arms with 60 mm diam. fitting.
Produced according to applicable EN60598-1 CEI 34-21 standards, IP65IK08 degree of protection in compliance with EN 60529 standards. It has been granted the ENEC European Certificate of Conformity.
Insulation Class II.
Lamps: FLC2x18L.



Code	Gear	Kg	Lumen-K-CRI	WTot	Base	Colour
426267-00	CELL-F	2,00	FLC 2x18L-1200lm-4000K-Ra 1b	43 W	2G11	GRAPHITE

Accessori

- 50 Base for acc.5	- 1464 Corona	- 1465 flange ø120	- 1372 wall mount
- 1377 nylon arm	- 1370 arm	- 1362 upward arm	- 1365 flange ø100
- 1326 long ceiling mount	- 1324 suspension unit	- 1363 downward arm	- 1463 downward arm
- 1462 upward arm	- 1322 skirt	- 1328 baffle louvre for zone 3	- 1327 baffle louvre for zone 2
- 1329 baffle louvre			

The reported luminous flux is the flux emitted by the light source with a tolerance of ± 10% compared to the indicated value. The W tot column indicates the total wattage absorbed by the system without exceeding 10% of the indicated